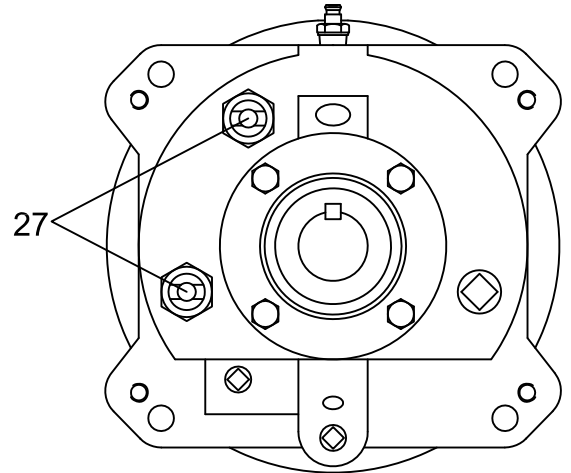
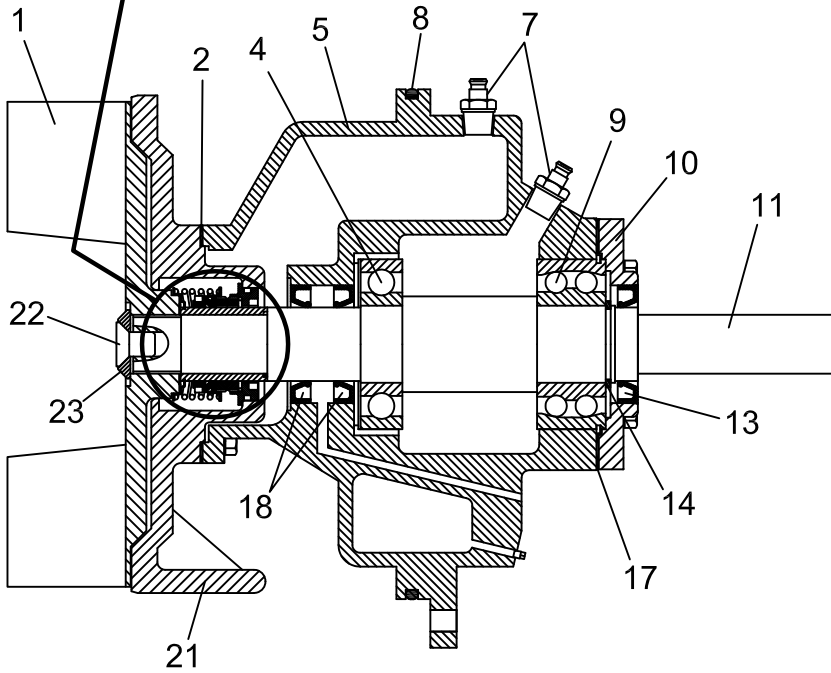
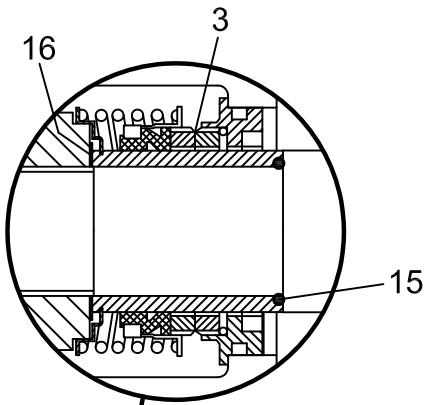
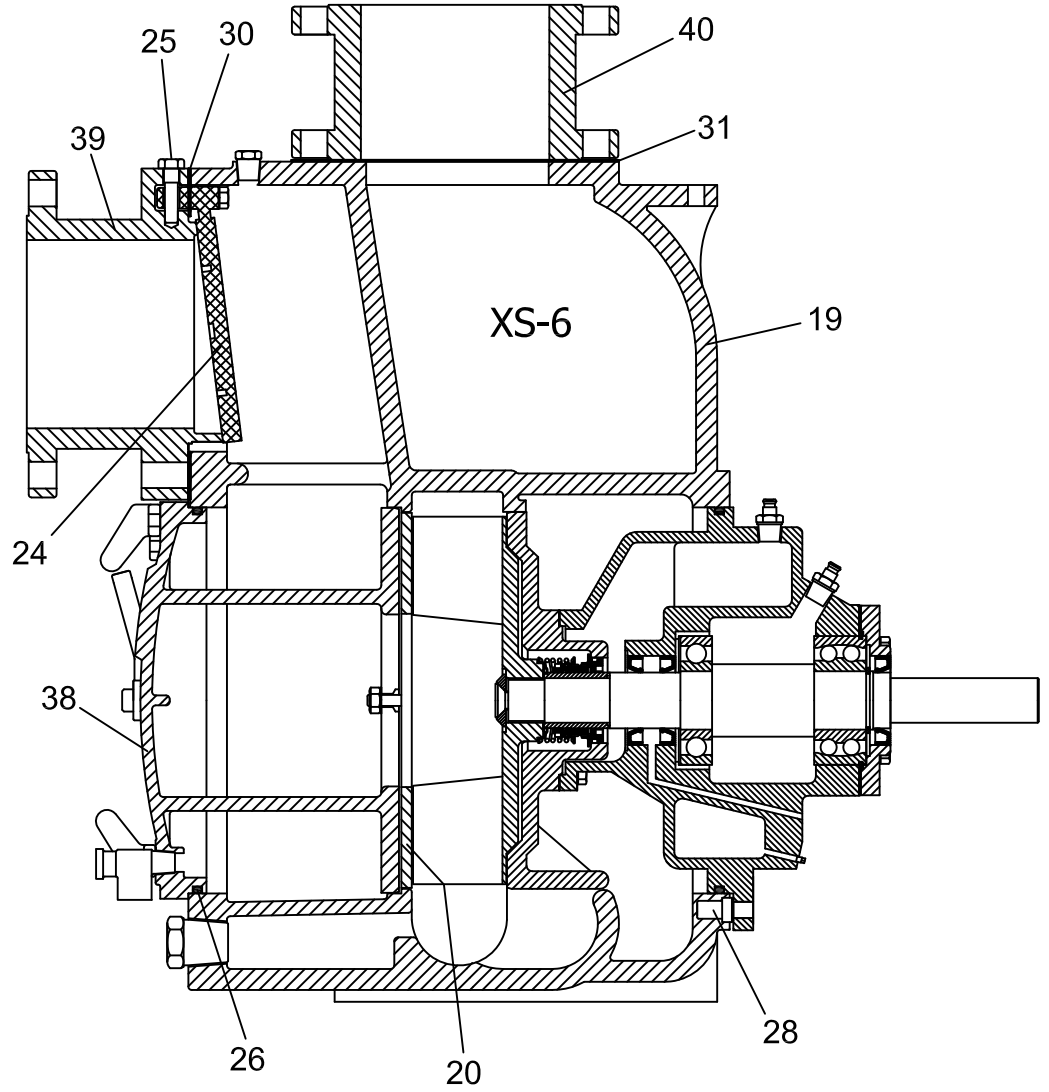
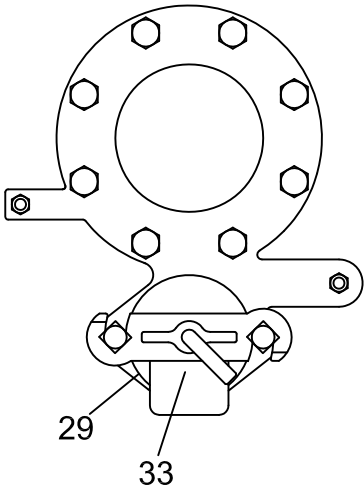


XS-6 Parts



XS-6 Parts



ALL PRIME PUMPS
p. 800-803-0353

<i>item</i>	<i>description</i>	<i>AP part no.</i>	<i>GR part no.</i>	<i>qty</i>
1*	impeller XS6 - D/I(std)	313.010.150	38615-087-11010	1
1*	impeller XS6 - CD4	313.010.154	38615-087-1718H	1
2*	gasket, seal plate S346, XS346, I34	311.010.200	10959G-20000	1
3*	seal, mech. - 1.88" (cart.w/sleeve) Δ	314.010.310	46513-154	1
3*	seal, mech. - 1.88" (comp.no-sleeve) ▲	314.010.300		1
4*	bearing, I/B - XS6	313.011.350	S616	1
5	housing, bearing, XS6 - C/I(std)	313.010.450	38251-514-10000	1
7	vent, air	310.010.600	S1530 w/bushing	2
8*	o-ring - Buna	313.011.600	S1676	1
8*	o-ring - Viton	313.190.001	25154-454	1
9*	bearing, O/B - XS6	313.012.350	S1030	1
10	cap, bearing, XS6 - C/I(std)	313.010.950	38322-430-10010	1
11	shaft XS6 - std (sleeve type) Δ	313.011.150	38514-818-16040	1
11	shaft XS6 - 17-4 (no-sleeve design) ▲	313.011.160	38514-820-1706H	1
13*	oil seal O/B - Nitrile	314.011.200	S1917	1
14	retaining ring, bearing	313.012.100	24124-425	1
15	o-ring - Buna	314.012.500	25152-026	1
15	o-ring - Viton	314.012.501	25154-026	1
16	shims, impeller	314.011.500	5091-17090	1
17*	gasket, bearing cap, XS6	313.012.050	38683-473-18000	1
18*	oil seal I/B - Nitrile	314.011.200	S1917	2
19	casing S6,XS6 - C/I(std)	313.030.000	46472-708	1
20*	wear plate S6,XS6 - std	313.210.000	46451-723-24150	1
20*	wear plate S6,XS6 - CD4	313.210.004	46451-723-1718H	1
21	seal plate XS6 - C/I(std)	313.011.950	38272-254-10010	1
21	seal plate XS6 - CD4	313.011.954	38272-254-1718H	1
22	screw, impeller - std	310.011.700	F1004S-1500G	1
22	screw, impeller - SS	310.011.701	F1004S-1704G	1
23	washer, impeller - std	310.011.800	31167-029-16000	1
23	washer, impeller - SS	310.011.801	31167-029-1706H	1
24*	check valve S6,XS6,I6 - STD	313.120.000	46411-064	1
24*	check valve S6,XS6,I6 - Viton	313.120.001	46411-088	1
25	pin, check valve, S6,XS6,I6	313.100.000	11645-17010	1
26*	o-ring - Buna	313.011.600	S1676	1
26*	o-ring - Viton	313.190.001	25154-454	1
27	sight gauge	310.011.400	S1471	2
28	screw, rot.ass'y adj.	310.080.000		4
29*	gasket, fill cover (all but S12)	310.280.000	50G-19210	1
30*	gasket, suction flg. S6,XS6,I6	313.090.000	11402G-19370	1
31	gasket, disch. flg. S6,XS6,I6	313.040.000	1679G-19370 (25113-036)	1
33	fill cover kit - std (bar,plate,gask,scrw)	310.350.000		1
38	cover (clean-out) S6,XS6 - C/I(std)	313.130.000	42111-905	1
39	spool, suction S6,XS6,I6 - C/I(std)	313.110.000	11402A-10010	1
40	spool, discharge S6,XS6,I6 - C/I(std)	313.070.000	11402B-10010	1

Notes:

- 1a. p/n 314.010.310 mechanical seal,
- 1b. p/n 314.010.300 mechanical seal,
2. parts are FOB Jacksonville, FL
3. * indicates recommended spares

cartridge - includes sleeve o-ring, impeller shim set & sleeve.
 component - includes sleeve o-ring, impeller shim set & NO sleeve.