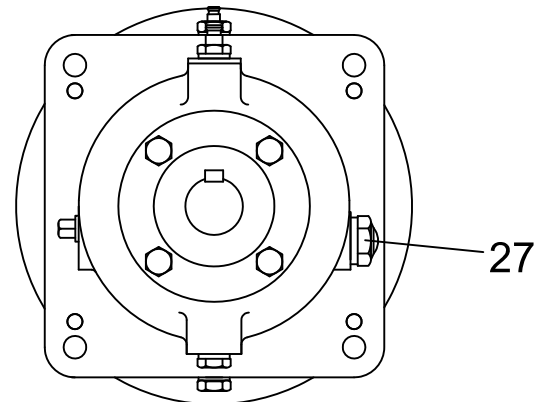
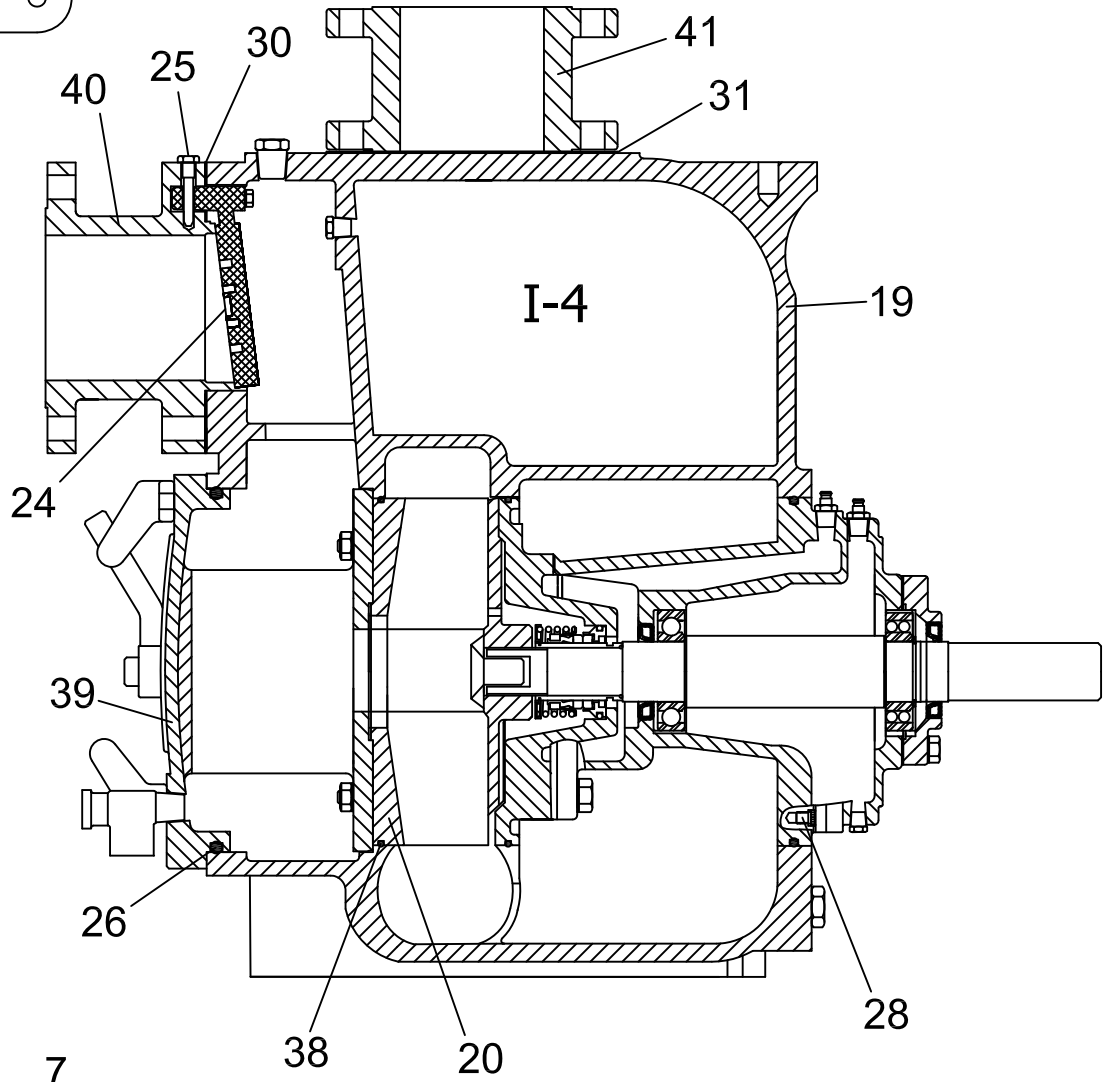
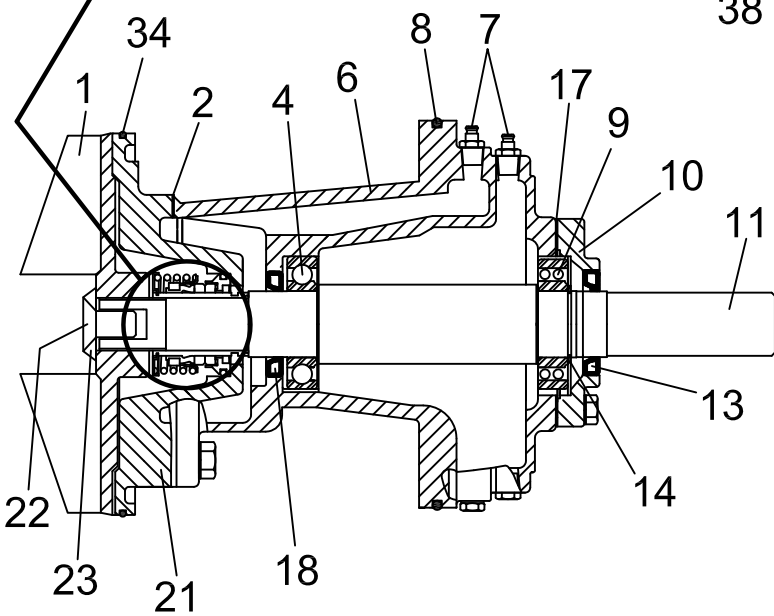
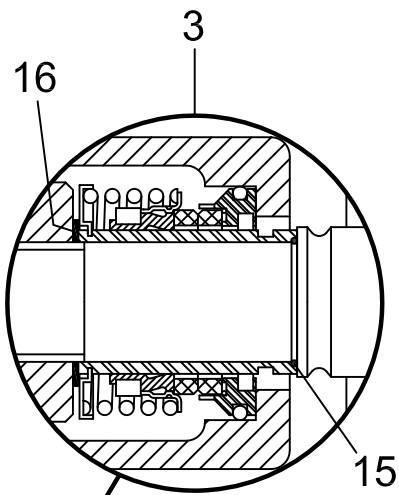
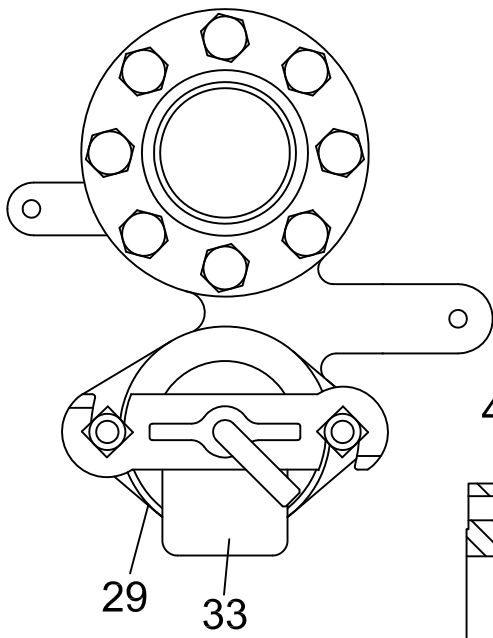


I-4 Parts



I-4 Parts



ALL PRIME PUMPS
p. 800-803-0353

<i>item</i>	<i>description</i>	<i>AP part no.</i>	<i>GR part no.</i>
1*	impeller I4 - D/I(std)	412.010.100	38619-011-11000
1*	impeller I4 - CD4	412.010.104	38619-011-1718H
2*	gasket, seal plate S346, XS346, I34	311.010.200	10959G-20000
3*	seal, mech. - 1.5" (cart.w/sleeve) Δ	310.010.310	46513-151
3*	seal, mech. - 1.5" (comp.no-sleeve) ▲	310.010.300	12364A
4*	bearing, I/B - S4,S6,I3,I4	312.011.300	23276-009
6	housing, bearing I4 - std	412.010.400	38251-508-10010
7	vent, air	310.010.600	S1530 w/bushing
8*	o-ring - Buna	411.011.610	25152-277
8*	o-ring - Viton	411.011.601	25154-277
9*	bearing, O/B - S4,S6,I3,I4	312.012.300	S1040
10	cap, bearing S4,S6,I3,I4	312.010.900	38322-215-11010
11	shaft S46,I4 - std (sleeve type) Δ	312.011.100	10529-16040
11	shaft S46,I4 - 17-4 (no-sleeve design) ▲	312.011.120	10529B-1706H
13*	oil seal O/B - Nitrile	310.011.200	S1352
14	retaining ring, bearing	310.012.100	S244
15*	o-ring - Buna	310.012.500	25152-022 (S2088)
15*	o-ring - Viton	310.012.501	25154-022
16*	shims, impeller	310.011.500	37J-17090
17*	gasket, bearing cap S4,S6,I3,I4	312.012.000	38683-248-18000
18*	oil seal I/B - Nitrile	310.011.200	S1352
19	casing I4 - C/I(std)	412.030.000	46471-702
20	wear plate I4 - std	412.210.000	46451-710
20	wear plate I4 - CD4	412.210.004	46451-738
21	seal plate I4 - C/I(std)	412.011.900	38272-233-10010
21	seal plate I4 - CD4	412.011.904	38272-233-1718H
22	screw, impeller - std	310.011.700	F1004S-1500G
22	screw, impeller - SS	310.011.701	F1004S-1704G
23	washer, impeller - std	310.011.800	31167-029-16000
23	washer, impeller - SS	310.011.801	31167-029-1706H
24*	check valve S4,XS4,I4 - STD	312.120.000	46411-062
24*	check valve S4,XS4,I4 - Viton	312.120.001	46411-072
25	pin, check valve S2,S4,XS4,I4	310.100.000	11557-17010
26*	o-ring - Buna	411.011.610	25152-277
26*	o-ring - Viton	411.011.601	25154-277
27	sight gauge	310.011.400	S1471
28	screw, rot.ass'y adj.	310.080.000	
29*	gasket, fill cover (all but S12)	310.280.000	50G-19210
30*	gasket, suction flg. S4,XS4,I4	312.090.000	11389G-19370
31	gasket, disch. flg. S4,XS4,I4	312.040.000	25113-034
33	fill cover kit - std (bar,plate,gask,scrw)	310.350.000	
34*	o-ring - Buna	411.011.600	25152-276
34*	o-ring - Viton	411.013.701	25154-276
38*	o-ring - Buna	411.013.800	25152-258
38*	o-ring - Viton	411.013.801	25154-258
39	cover plate (clean-out) I4 - C/I(std)	412.130.000	42111-940
40	spool, suction S4,XS4,I4 - C/I(std)	312.110.000	12066-10010
41	spool, discharge S4,XS4,I4 - C/I(std)	312.070.000	12066A-10010

Notes:

- 1a. p/n 310.010.310 mechanical seal, cartridge - includes sleeve o-ring, impeller shim set & sleeve.
- 1b. p/n 310.010.300 mechanical seal, component - includes sleeve o-ring, impeller shim set & NO sleeve.
- 2. parts are FOB Jacksonville, FL
- 3. * indicates recommended spares