



**INSTALLATION,
OPERATION
&
MAINTENANCE
MANUAL**

with PARTS LIST

XS Series Pumps



**Model
XS-6**



ALL PRIME PUMPS

a Division of Power & Pumps, Inc.

803 N. Myrtle Ave.

Jacksonville, FL 32204

phone: 800-803-0353

phone: 904-356-5881

fax: 904-356-8717

e-mail: sales@allprimepumps.com

date: 06/2015

TABLE OF CONTENTS

INTRODUCTION	Pg. 04
SAFETY – SECTION A	Pg. 05
INSTALLATION – SECTION B	Pg. 06
- Pump Dimensions	Pg. 06
PRE INSTALLATION INSPECTION	Pg. 07
POSITIONING PUMP	Pg. 07
- Lifting	Pg. 07
- Mounting	Pg. 07
- Clearance	Pg. 07
SUCTION AND DISCHARGE PIPING	Pg. 07
- Materials	Pg. 07
- Line Configuration	Pg. 08
- Connections to Pump	Pg. 08
- Gauges	Pg. 08
SUCTION LINES	Pg. 08
- Fittings	Pg. 08
- Strainers	Pg. 08
- Sealing	Pg. 08
- Suction Lines in Sumps	Pg. 08
- Suction Lines Positioning	Pg. 09
DISCHARGE LINES	Pg. 09
- Siphoning	Pg. 09
- Valves	Pg. 09
- Bypass Lines	Pg. 10
AUTOMATIC AIR RELEASE VALVE	Pg. 11
- Theory of Operation	Pg. 11
- Air Release Valve Installation	Pg. 11
ALIGNMENT	Pg. 12
- Coupled Drivers	Pg. 13
- V-Belt Drives	Pg. 14
OPERATION – SECTION C	Pg. 15
PRIMING	Pg. 15
STARTING	Pg. 15
- Rotation	Pg. 15
OPERATION	Pg. 16
- Lines With a Bypass	Pg. 16
- Lines Without a Bypass	Pg. 16
- Leakage	Pg. 16
- Liquids Temperature and Overheating	Pg. 16
- Strainer Check	Pg. 17
- Pump Vacuum Check	Pg. 17
STOPPING	Pg. 17
- Cold Weather Preservation	Pg. 17
BEARING TEMPERATURE CHECK	Pg. 18

TABLE OF CONTENTS
(Continued)

TRUBLESHOOTING – SECTION D	Pg. 19
- Preventive Maintenance	Pg. 21
PUMP MAINTENANCE AND REPAIR – SECTION E	Pg. 22
- Performance Curve	Pg. 22
- Parts List	Pg. 23
PUMP AND SEAL DISASSEMBLY AND REASSEMBLY	Pg. 25
- Back Cover and Wear Plate Removal	Pg. 25
- Suction Check Valve Removal	Pg. 25
- Rotating Assembly Removal	Pg. 26
- Impeller Removal	Pg. 26
- Seal Removal	Pg. 27
- Shaft and Bearing Removal and Disassembly	Pg. 27
- Shaft and Bearing Reassembly and Installation	Pg. 28
- Seal Installation	Pg. 29
- Impeller Installation	Pg. 32
- Rotating Assembly Installation	Pg. 32
- Suction Check Valve Installation	Pg. 33
- Back Cover Installation	Pg. 33
PRESSURE RELIEF VALVE MAINTENANCE	Pg. 33
- Final Pump Assembly	Pg. 34
LUBRICATION	Pg. 34
- Seal Assembly Chamber	Pg. 34
- Bearing Chamber	Pg. 34
WARRANTY STATEMENT	Pg. 35

INTRODUCTION

This Installation, Operation, and Maintenance manual is designed to help you get the best performance and longest life from your All Prime pump.

This pump is an XS-Series, semi-open impeller, self-priming centrifugal model with a suction check valve.

The pump is designed for handling mild industrial corrosives, mud or slurries containing large entrained solids. The basic material of construction is gray iron, with ductile iron impeller and steel wearing parts.

If there are any questions regarding the pump or its applications which are not covered in this manual or in other literature accompanying this unit, please contact your All Prime distributor, or:

ALL PRIME PUMPS

803 N. Myrtle Ave.
Jacksonville, FL 32204
phone: 800-803-0353
phone: 904-356-5881
fax: 904-356-8717

For information or technical assistance on the power source, (i.e. - electric motor, engine, etc.) contact the power source manufacturer's local dealer or representative.

The following are used to alert maintenance personnel to procedures which require special attention, to those which could damage equipment, and to those which could be dangerous to personnel:



DANGER!

Immediate hazards which WILL result in severe personal injury or death. These instructions describe the procedure required and the injury which will result from failure to follow procedure.



CAUTION!

Hazards or unsafe practices which COULD result in minor personal injury, product or property damage. These instructions describe the requirements and the possible damage which could result from failure to follow the procedure.

NOTE:

Instructions to aid in installation, operation, and maintenance or which clarify a procedure.

SAFETY – SECTION A

These warnings apply to XS-series basic pumps. All Prime has no control over or particular knowledge of the power source which will be used. Refer to the manual accompanying the power source before attempting to begin operation.



WARNING!

Before attempting to open or service the pump:

1. Familiarize yourself with this manual.
2. Disconnect or lock-out the power source to ensure that the pump will remain inoperative.
3. Allow the pump to cool if overheated.
4. Check the temperature before opening any covers, plates, or plugs.
5. Close the suction and discharge valves.
6. Vent the pump slowly and cautiously.
7. Drain the pump



WARNING!

This pump is designed to handle mild industrial corrosives, mud or slurries containing large entrained solids. Do not attempt to pump volatile, corrosive, or flammable materials which may damage the pump or endanger personnel as result of pump failure.



WARNING!

After the pump has been positioned, make certain that the pump and all piping connections are tight, properly supported and secure before operation.



WARNING!

Do not operate the pump without the guards in place over the rotating parts. Exposed rotating parts can catch clothing, fingers, or tools, causing severe injury to personnel.



WARNING!

Do not remove plates, covers, gauges, pipe plugs, or fittings from an overheated pump. Vapor pressure within the pump can cause parts being disengaged to be ejected with great force. Allow the pump to cool before servicing.



WARNING!

Do not operate the pump against a closed discharge valve for long periods of time. If operated against a closed discharge valve, pump components will deteriorate, and the liquid could come to a boil, pressurize, and cause the pump casing to rupture or explode.



WARNING!

Use lifting and moving equipment in good repair and with adequate capacity to prevent injuries to personnel or damage to equipment. Suction & Discharge hoses and piping must be removed before lifting.

INSTALLATION – SECTION B

Review all SAFETY information in Section A.

Since pump installations are seldom identical, this section offers only general recommendations and practices required to inspect, position and arrange the pump and piping.

Most of the information pertains to a standard static lift application where the pump is positioned above the level of liquid to be pumped.

If installed in a flooded suction application where the liquid is supplied to the pump under pressure, some of the information such as mounting, line configuration, and priming must be tailored to the specific application.

Since the pressure supplied to the pump is critical to performance and safety, be sure to limit incoming pressure to 50% of the maximum permissible operating pressure as shown on the pump performance curve.

For further assistance, contact your All Prime distributor or All Prime Pumps.

Pump Dimensions

See Figure 1 below for the physical dimensions of this pump.

OUTLINE DRAWING

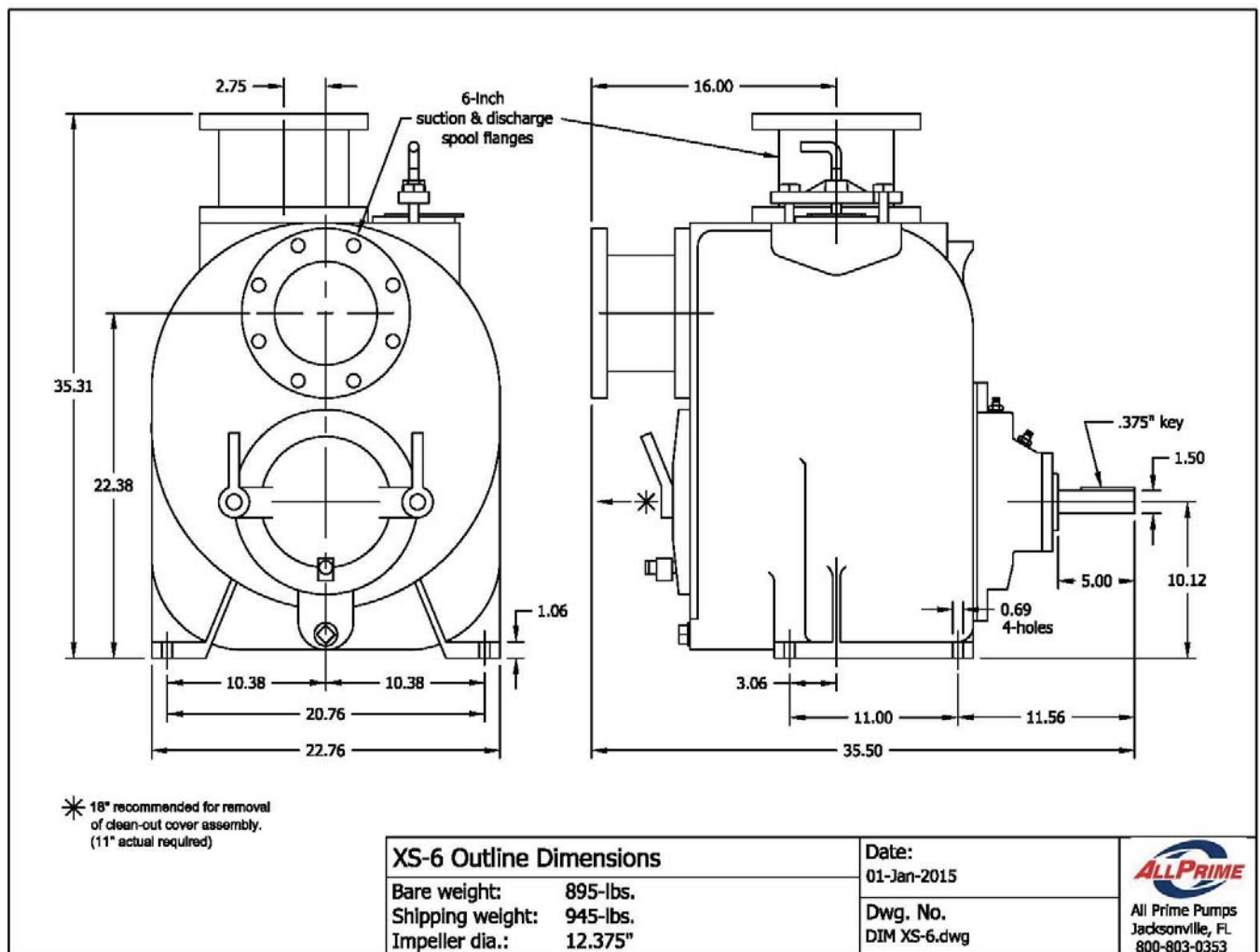


Figure 1. Pump Model XS-6

PRE-INSTALLATION INSPECTION

The pump was inspected and tested before shipping from the factory. Before installation, inspect the pump for damage which may have occurred during shipment. Check as follows:

- a. Inspect the pump for cracks, dents, damaged threads, and other obvious damage.
- b. Check for and tighten loose attaching hardware. Since gaskets tend to shrink after drying, check for loose hardware at mating surfaces.
- c. Carefully read all warnings and cautions contained in this manual or affixed to the pump, and perform all duties indicated. Note the direction of rotation indicated on the pump. Check that the pump shaft rotates counterclockwise when facing the back cover plate assembly / impeller end of the pump.



CAUTION!

Only operate this pump in the direction indicated by the arrow on the pump body and on the accompanying decal. Refer to ROTATION in OPERATION, Section C. (page 15)

- d. Check levels and lubricate as necessary. Refer to LUBRICATION in the MAINTENANCE AND REPAIR section of this manual and perform duties as instructed. (page 34)
- e. If the pump and power source have been stored for more than 12 months, some of the components or lubricants may have exceeded their maximum shelf life. These must be inspected or replaced to ensure maximum pump service.

If the maximum shelf life has been exceeded, or if anything appears to be abnormal, contact your All Prime distributor or the factory to determine the repair or updating policy. Do not put the pump into service until appropriate action has been taken.

POSITIONING PUMP

Lifting

This pump weighs approximately 895-pounds not including the weight of any accessories, base-frame, motor, etc. Use the proper lifting equipment with adequate capacity. Customer installed equipment such as suction and discharge piping must be removed before attempting to lift.



CAUTION!

The pump assembly can be seriously damaged if the cables or chains used to lift and move the unit are improperly wrapped around the pump.

Mounting

Locate the pump in an accessible place as close as practical to the liquid being pumped. Level mounting is essential for proper operation. The pump may have to be supported or shimmed to provide for level operation or to eliminate vibration.

Clearance

When positioning the pump, allow a minimum clearance of 18 inches in front of the back cover to permit removal of the cover and easy access to the pump interior.

SUCTION & DISCHARGE PIPING

Pump performance is adversely affected by increase suction lift, discharge elevation and friction losses. See the performance curve and operating range shown on Page 22 to ensure your overall application allows pump to operate within the safe operation range.

Materials

Either pipe or hose maybe used for suction and discharge lines: however, the materials must be compatible with liquid being pumped.

If hose is used in suction lines, it must be the rigid-wall, reinforced type to prevent collapse under suction. Using piping couplings in suction lines is not recommended.

Line Configuration

Keep suction and discharge lines as straight as possible to minimize friction losses. Make minimum use of elbows and fittings, which substantially increase friction loss. If elbows are necessary, use the long radius type to minimize friction loss.

Connections to Pump

Before tightening a connecting flange, align it exactly with the pump port. Never pull a pipe line into place by tightening the flange bolts and/or couplings.

Lines near the pump must be independently supported to avoid strain on the pump which could cause excessive vibration, decrease bearing life, and increased shaft and seal wear. If hose-type lines are used, they should have adequate support to secure them when filled with liquid and under pressure.

Gauges

Most pumps are drilled and tapped for installing discharge pressure and vacuum suction gauges. If these gauges are desired for pumps that are not tapped, drill and tap the suction and discharge lines not less than 18 inches from the suction and discharge ports and install the lines. Installation closer to the pump may result in erratic readings.

SUCTION LINES

To avoid air pockets which could affect pump priming, the suction line must be as short and direct as possible. When operation involves a suction lift, the line must always slope upward to the pump from the source of the liquid being pumped. If the line slopes down to the pump at any point along the suction run, air pockets will be created.

Fittings

Suction lines should be the same size as the pump inlet. If reducers are used in suction lines, they should be the eccentric type, and should be installed with the flat part of the reducers uppermost to avoid creating air pockets. Valves are not normally used in suction lines, but if a valve is used, install it in a manner to avoid air pockets.

Strainers

If a strainer is furnished with the pump, be certain to use it. Any spherical solids which pass through a strainer furnished with the pump will also pass through the pump itself.

If a strainer is not furnished with the pump, but is installed by the pump user, make certain that the total area of the openings in the strainer is at least three or four times the cross section of the suction line, and that the openings will not permit passage of solids larger than the solids handling capability of the pump.

This pump is designed to handle up to 3-inch (3") diameter spherical solids.

Sealing

Since even a slight leak will affect priming, head, and capacity, especially when operating with a high suction lift, all connections in the suction line should be sealed with pipe dope to ensure an airtight seal. Follow the sealant manufacturer's recommendations when selecting and applying the pipe dope. The pipe dope should be compatible with the liquid being pumped.

Suction Lines in Sumps

If a single suction line is installed in a sump, it should be positioned away from the wall of the sump at a distance equal to 1-½ times the diameter of the suction line.

If there is a liquid flow from an open pipe into the sump, the flow should be kept away from the suction inlet because the inflow will carry air down into the sump, and air entering the suction line will reduce pump efficiency.

If it's necessary to position inflow close to the suction line, install a baffle between the inflow and the suction line. The baffle will allow entrained air to escape from the liquid before it is drawn into the suction inlet.

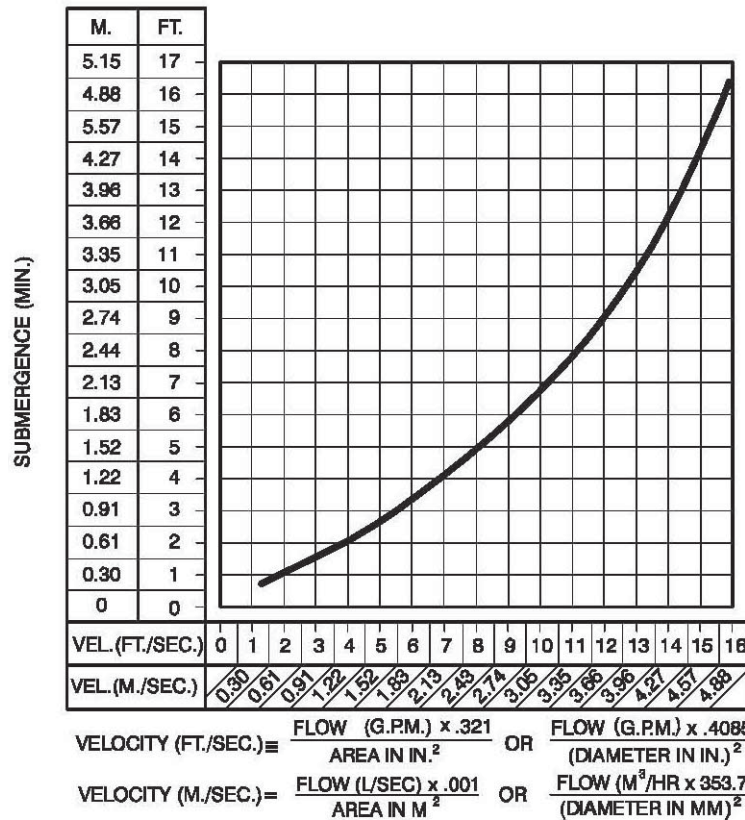
If two suction lines are installed in a single sump, the flow paths may interact, reducing the efficiency of one or both pumps. To avoid this, position the suction inlets so that they are separated by a distance equal to at least 3 times the diameter of the suction pipe.

Suction Line Positioning

The depth of submergence of the suction line is critical to efficient pump operation. Figure 2 shows recommended minimum submergence vs. velocity.

NOTE:

The pipe submergence required may be reduced by installing a standard pipe increaser fitting at the end of the suction line. The larger opening size will reduce the inlet velocity. Calculate the required submergence using the following formula based on the increased opening size (area or diameter).



Recommended Minimum Suction Line Submergence vs. Velocity

DISCHARGE LINES

Siphoning

Do not terminate the discharge line at a level lower than of the liquid being pumped unless a siphon breaker is used in the line. Otherwise, a siphoning action causing damage to the pump could result.

Valves

If a throttling valve is desired in the discharge line, use a valve as large as the largest pipe to minimize friction losses. Never install a throttling valve in a suction line.

With high discharge heads, it is recommended that a throttling valve and a system check valve be installed in the discharge line to protect the pump from excessive shock pressure and reverse rotation when it is stopped.



CAUTION!

If the application involves a high discharge head, gradually close the discharge throttling valve before stopping the pump.

Bypass Lines

Self-priming pumps are not air compressors. During the priming cycle, air from the suction line must be vented to atmosphere on the discharge side. If the discharge line is open, and a check valve has been installed in the discharge line, the discharge side of the pump must be opened to atmospheric pressure through a bypass line installed between the pump discharge and the check valve. A self-priming centrifugal pump will not prime if there is sufficient static liquid head to hold the discharge check valve closed.

NOTE:

The bypass line should be sized so that it does not affect pump discharge capacity; however, the bypass line should be at least 1 inch in diameter to minimize the chance of plugging.

In **LOW** discharge head applications (less than 30 feet or 9 meters), it is recommended that the bypass line be run back to the wet well, and locate 6 inches below the water level or cut-off point of the level pump. In some installations, this bypass line may be terminated with a six-to-eight foot length of 1-¼ inch ID smooth-bore hose; air and liquid vented during the priming process will then agitate the hose and break up any solids, grease, or other substances likely to cause clogging.



CAUTION!

A bypass line that is returned to a wet well must be secured against being drawn into the pump suction inlet.

It is also recommended that pipe unions be installed at each 90° elbow in a bypass line to ease disassembly and maintenance.

In **HIGH** discharge head applications (more than 30 feet), an excessive amount of liquid may be bypassed and forced back to the wet well under the full working pressure of the pump; this will reduce overall pumping efficiency. Therefore, it is recommended that a All Prime Automatic Air Release Valve be installed in the bypass line.

All Prime Automatic Air Release Valves are reliable, and require minimum maintenance. See AUTOMATIC AIR RELEASE VALVE in this section for installation and theory of operation of the Automatic Air Release Valve. Contact All Prime Pumps for selection of an Automatic Air Release Valve to fit your application.

If the installation involves a flooded suction such as below-ground lift station - A pipe union and manual shut-off valve may be installed in the bleed line to allow service of the valve without shutting down the station, and to eliminate the possibility of flooding. If a manual shut-off valve is installed anywhere in the air release piping, it must be a full-opening ball type valve to prevent plugging by solids.



DANGER!

If a manual shut-off valve is installed in a bypass line, it must not be left closed during operation. A closed manual shut-off valve may cause a pump which has lost prime to continue to operate without reaching prime, causing dangerous overheating and possible explosive rupture of the pump casing. Personnel could be severely injured.

Allow an over-heated pump to cool before servicing. Do not remove plates, covers, gauges, or fittings from an overheated pump. Liquid within the pump can reach boiling temperatures, and vapor pressure within the pump can cause parts being disengaged to be ejected with great force. After the pump cools, drain the liquid from the pump by removing the casing drain plug. Use caution when removing the plug to prevent injury to personnel from hot liquid.

AUTOMATIC AIR RELEASE VALVE

When properly installed and correctly adjusted to the specific hydraulic operating conditions of the application, the All Prime Automatic Air Release Valve will permit air to escape through the bypass line, and then close automatically when the pump is fully primed and pumping at full capacity.

Theory of Operation

Figures 3 and 4 show a cross-sectional view of the Automatic Air Release Valve, and a corresponding description of operation.

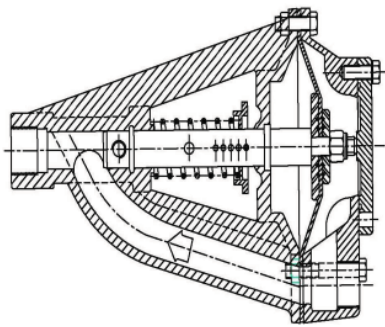


Figure 3. Valve in Open Position

During the priming cycle, air from the pump casing flows through the bypass line, and passes through the Air Release valve to the wet well Figure 3.

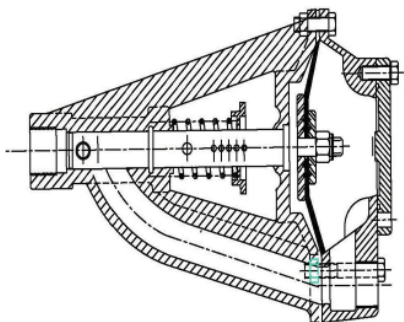


Figure 4. Valve in Closed Position

When the pump is fully primed, pressure resulting from flow against the valve diaphragm compresses the spring and closes the valve Figure 4.

The valve will remain closed, reducing the bypass of liquid to 1 to 5 gallons per minute, until the pump loses prime or stops.



WARNING!

Some leakage (1 to 5 gallons per minute) will occur when the valve is fully closed. Be sure the bypass line is directed back to the wet well or tank to prevent hazardous spills.

When the pump shuts down, the spring returns the diaphragm to its original position. Any solids that may have accumulated in the diaphragm chamber settle to the bottom and are flushed out during the next priming cycle.

NOTE:

The valve will remain open if the pump does not reach its designed capacity or head. Valve closing pressure is dependent upon the discharge head of the pump at full capacity. The range of the valve closing pressure is established by the tension rate of the spring as ordered from the factory. Valve closing pressure can be further adjusted to the exact system requirements by moving the spring retaining pin up or down the plunger rod to increase or decrease tension on the spring. Contact your All Prime distributor or All Prime Pumps for information about an Automatic Air Release Valve for your specific application.

Air Release Valve Installation

The Automatic Air Release Valve must be independently mounted in a horizontal position and connected to the discharge line of the self-priming centrifugal pump. See Figure 5 on next page.

NOTE:

If the Air Release Valve is to be installed on a staged pump application, contact the factory for specific installation instructions.

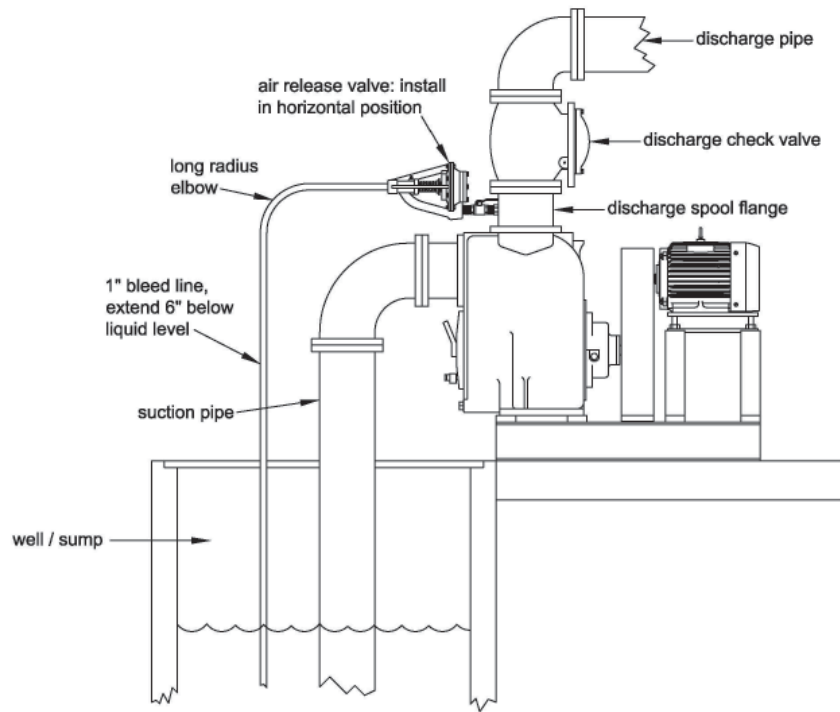


Figure 5. Typical Automatic Air Release Valve Installation

The valve inlet must be installed between the pump discharge port and the non-pressurized side of the discharge check valve. The valve inlet is it at the large end of the valve body, and is provided with standard 1-inch NPT pipe threads.

The valve outlet is located at the opposite end of the valve, and is also equipped with standard 1-inch NPT pipe threads. The outlet should be connected to a bleed line which slopes back to the wet well or sump. The bleed line must be the same size as the inlet piping, or larger. If piping is used for the bleed line, avoid the use of elbows whenever possible.

NOTE:

It is recommended that each Air Release Valve be fitted with an independent bleeder line directed back to the wet well. However, if multiple air Release Valves are installed in a system, the bleeder lines may be directed to a common manifold pipe. Contact your All Prime distributor or All Prime Pumps for information about installation of an Automatic Air Release Valve for your specific application.

ALIGNMENT

The alignment of the pump and its power source is critical for trouble-free mechanical operation. In either a flexible-coupling or V-belt driven system, the driver and pump must be mounted so that their shafts are aligned with and parallel to each other. It is imperative that alignment be checked after the pump and piping are installed, and before operation.

NOTE:

Check 'Rotation, Section C', before alignment of the pump. (page 15)

When mounted at All Prime Pumps, the driver and pump are aligned before shipment. Misalignment may occur in transit and handling. Pumps must not be operated prior to checking alignment. The pump casing-feet and/or pedestal-feet, and the driver mounting bolts should also be tightly secured.

 **WARNING!**

When checking alignment, disconnect the power source to ensure that the pump will remain inoperative.

 **CAUTION!**

Adjusting the alignment in one direction may alter the alignment in another direction. Check each procedure after altering alignment.

Coupled Drives

When using couplings, the axis of the power source must be aligned with the axis of the pump shaft in both the horizontal and vertical planes. Most couplings require a specific gap or clearance between the driving and the driven shafts. Refer to the coupling manufacturer's service literature.

Align spider insert type couplings by using calipers to measure the dimensions on the circumference of the outer ends of the coupling hub every 90 degrees. The coupling is in alignment when the hub ends are the same distance apart at all points. (see Figure 6A)

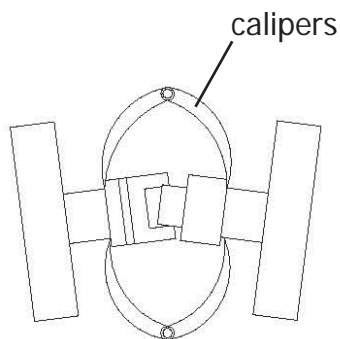


Figure 6A. Aligning Spider Type Couplings

Align non-spider type couplings by using a feeler gauge or taper gauge between the coupling halves every 90 degrees. The coupling is in alignment when the hubs are the same distance apart at all points. (see Figure 6B)

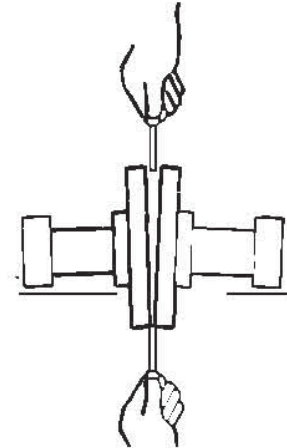


Figure 6B. Aligning Non-Spider Type Couplings

Check parallel adjustment by laying a straightedge across both coupling rims at the top, bottom, and side. When the straightedge rests evenly on both halves of the coupling, the coupling is in horizontal & parallel alignment. If the coupling is misaligned use a feeler gauge between the coupling and the straightedge to measure the amount of misalignment. (see Figure 6C)

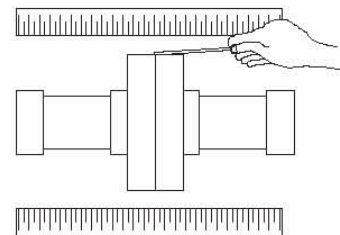


Figure 6C. Aligning Non-Spider Type Couplings

V-Belt Drives

When using V-belt drives, the power source and the pump must be parallel. Use a straightedge along the sides of the pulleys to ensure that the pulleys are properly aligned (see Figure 6D). In drive systems using two or more belts, make certain that the belts are a matched set; unmatched sets will cause accelerated belt wear.

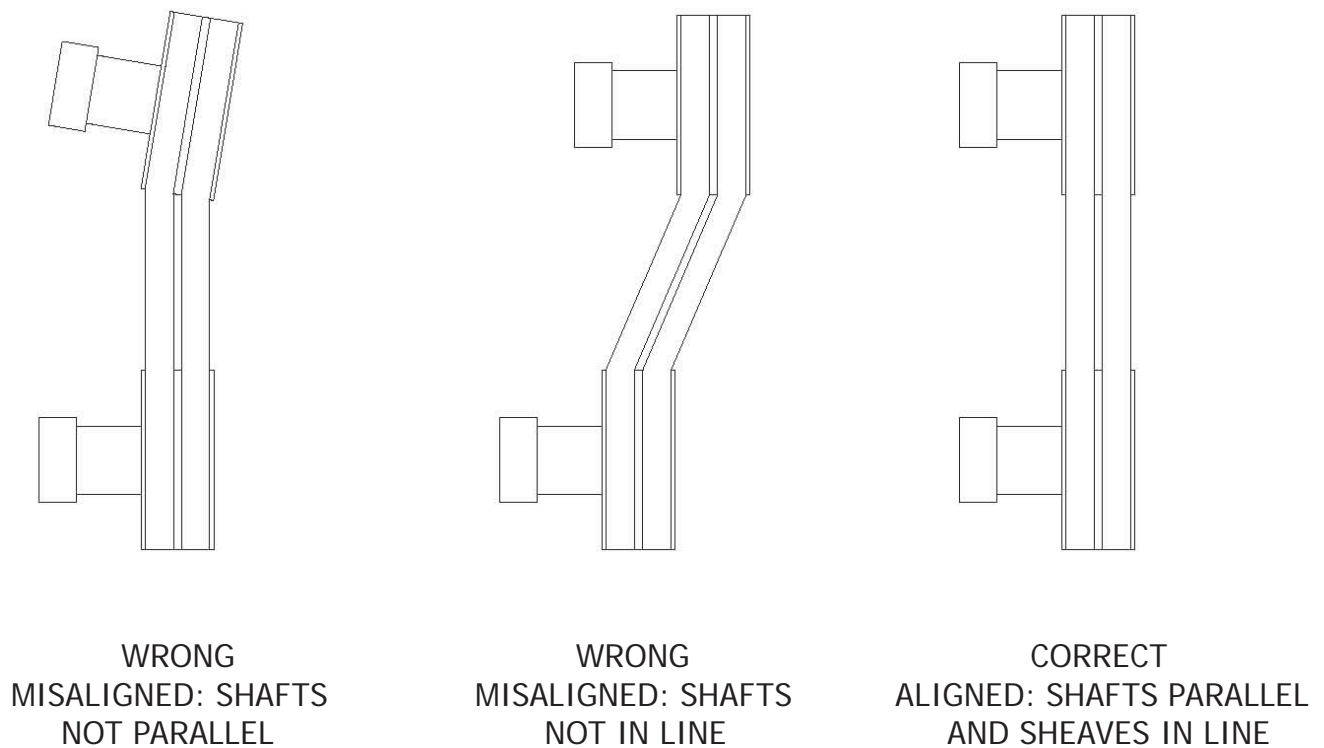


Figure 6D. Alignment of V-Belt Driven Pumps

Tighten the belts in accordance with the belt manufacturer's instructions. If the belts are too loose, they will slip; if the belts are too tight, there will be excessive power loss and possible bearing failure. Select pulleys that will match the proper speed ratio; over speeding the pump may damage both pump and power source.



DANGER!

Do not operate the pump without the guard in place over the rotating parts. Exposed rotating parts can catch clothing, fingers, or tools, causing severe injury to personnel.

OPERATION – SECTION C

Review all SAFETY information in Section A.

Follow instructions on all tags, labels and decals attached to the pump.

WARNING!

This pump is designed to handle mild industrial corrosives, mud or slurries containing large entrained solids. Do not attempt to pump volatile; corrosive, or flammable liquids which may damage the pump or endanger personnel as a result of pump failure.

CAUTION!

Pump speed and operating conditions must be within the performance range shown on Page 22.

PRIMING

Install the pump and piping as describe in INSTALLATION. Make sure that the piping connections are tight, and that the pump is securely mounted. Check that the pump is properly lubricated (see LUBRICATION in MAINTENANCE AND REPAIR).

CAUTION!

Never operate this pump unless there is liquid in the pump casing. The pump will not prime when dry. Extended operation of a dry pump will destroy the seal assembly.

Add liquid to the pump casing when:

1. The pump is being put into service for the first time.
2. The pump has not been used for a considerable length of time.
3. The liquid in the pump casing has evaporated.

Once the pump casing has been filled, the pump will prime and reprime as necessary.

WARNING!

After filling the pump casing, reinstall and tighten the fill plug. Do not attempt to operate the pump unless all connecting piping is securely installed. Otherwise, liquid in the pump forced out under pressure could cause injury to personnel.

To fill the pump, remove the 'fill-cover' in the top of the casing, and add clean liquid until the casing is filled. Replace the fill-cover before operating the pump.

STARTING

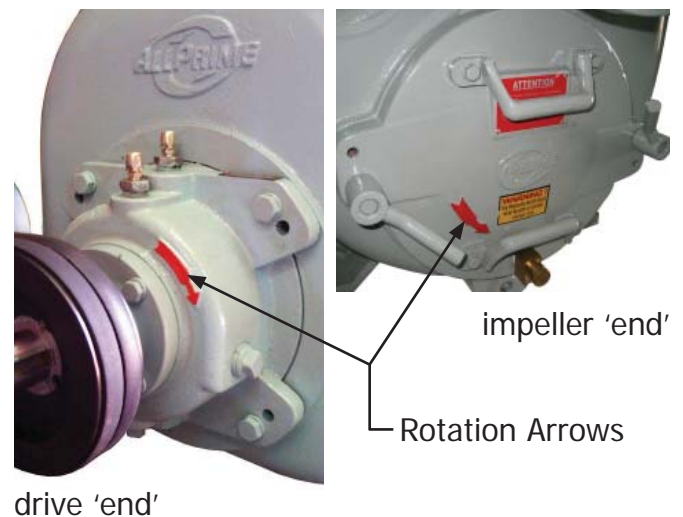
Consult the operations manual furnished with the power source.

Rotation

The correct direction of pump rotation is:
counter-clockwise - from impeller 'end'
-or- clockwise - from drive 'end'
(see 'arrow' photos below)

The pump will be damaged by incorrect rotation. If pump performance is not within the specified limits (see curve Page 22), check the direction of power source rotation before further troubleshooting.

Remove v-belts, couplings, or otherwise disconnect the pump from the motor before checking motor rotation. Operate the motor independently while observing the direction of the motor shaft, or cooling fan.



If rotation is incorrect on a three-phase motor, have a qualified electrician interchange any of the phase wires to change direction. If rotation is incorrect on a single-phase motor, consult the literature supplied with the motor for specific instructions.

OPERATION

Lines With a Bypass

If an All Prime Automatic Air Release Valve has been installed, the valve will automatically open to allow the pump to prime, and automatically close after priming is complete (see INSTALLATION for Air Release Valve operation).

Lines Without a Bypass

Open all valves in the discharge line and start the power source. Priming is indicated by a positive reading on the discharge pressure gauge or by a quieter operation. The pump may not prime immediately because the suction line must first fill with liquid. If the pump fails to prime within five minutes, stop it and check the suction line for leaks.

After the pump has been primed, partially close the discharge line throttling valve in order to fill the line slowly and guard against excessive shock pressure which could damage pipe ends, gaskets, etc. connected to the line. When the discharge line is completely filled, adjust the throttling valve to the required flow rate.



WARNING!

Do not operate the pump against a closed discharge throttling valve for long periods of time. If operated against a closed discharge throttling valve, pump components will deteriorate, and the liquid could come to a boil, build pressure, and cause the pump casing to rupture or explode.

Leakage

No leakage should be visible at pump mating surfaces, or at pump connections or fittings. Keep all line connections and fittings tight to maintain maximum pump efficiency.

Liquid Temperature & Overheating

The maximum liquid temperature for this pump is 160° F (71° C). Do not apply it at a higher operating temperature.

Overheating can occur if operated with the valves in the suction or discharge lines closed. Operating against closed valves could bring the liquid to a boil, build pressure, and cause the pump to rupture or explode. If overheating occurs, stop the pump and allow it to cool before servicing it. Refill the pump casing with cool liquid.



DANGER!

Allow an over-heated pump to cool before servicing. Do not remove plates, covers, gauges, or fittings from an overheated pump. Liquid within the pump can reach boiling temperatures, and vapor pressure within the pump can cause parts being disengaged to be ejected, with great force. After the pump cools, drain the liquid from the pump by removing the casing drain plug. Use caution when removing the plug to prevent injury to personnel from hot liquid.

As safeguard against rupture or explosion due to heat, this pump is equipped with a pressure relief valve which will open if vapor pressure within the pump casing reaches a critical point. If overheating does occur, stop the pump immediately and allow it to cool before servicing it. Approach any overheated pump cautiously. It is recommended that the pressure relief valve assembly be replaced at each overhaul, or any time the pump casing overheats and activates the valve. Never replace this valve with a substitute which has not been specified or provided by All Prime Pumps.

Strainer Check

If a suction strainer has been shipped with the pump or installed by the user, check the strainer regularly, and clean it as necessary. The strainer should also be checked if pump flow rate begins to drop. If a vacuum suction gauge has been installed, monitor and record the readings regularly to detect strainer blockage.

Never introduce air or steam pressure into the pump casing or piping to remove a blockage. This could result in personal injury or damage to the equipment. If back flushing is absolutely necessary, liquid pressure must be limited to 50% of the maximum permissible operating pressure show on the pump performance curve.

Pump Vacuum Check

With the pump inoperative, install a vacuum gauge in the system, using pipe dope on the threads. Block the suction line and start the pump. At operating speed the pump should pull a vacuum of 20 inches or more of mercury. If it does not, check for air leaks in the seal, gasket, or discharge valve.

Open the suction line, and read the vacuum gauge with the pump primed and at operation speed. Shut off the pump. The vacuum gauge reading will immediately drop proportionate to static suction lift, and should then stabilize. If the vacuum reading falls off rapidly after stabilization, an air leak exists. Before checking for the source of the leak, check the point of installation of the vacuum gauge.

STOPPING

Never stop the flow of liquid suddenly. If the liquid being pumped is stopped abruptly, damaging shock waves can be transmitted to the pump and piping system. Close all connecting valves slowly.

On engine driven pumps, reduce the throttle speed slowly and allow the engine to idle briefly before stopping.



CAUTION!

If the application involves a high discharge head, gradually close the discharge throttling valve before stopping the pump. After stopping the pump, lock out or disconnect the power source to ensure that the pump will remain inoperative.



WARNING!

Do not operate the pump against a closed discharge throttling valve for long periods of time. If operated against a closed discharge throttling valve, pump components will deteriorate, and the liquid could come to a boil, build pressure, and cause the pump casing to rupture or explode.

Cold Weather Preservation

In below freezing conditions, drain the pump to prevent damage from freezing. Also, clean out any solids by flushing with a hose. Operate the pump for approximately one minute; this will remove any remaining liquid that could freeze the pump rotating parts. If the pump will be idle for more than a few hours, or if it has been pumping liquids containing a large amount of solids, drain the pump, and flush it thoroughly with clean water. To prevent large solids from clogging the drain port and preventing the pump from completely draining, insert a rod or stiff wire in the drain port, and agitate the liquid during the draining process. Clean out any remaining solids by flushing with a hose.

BEARING TEMPERATURE CHECK

Bearings normally run at higher than ambient temperatures because of heat generated by friction. Temperatures up to 160° F (71° C) are considered normal for bearings, and they can operate safely to at least 180° F (82° C). Checking bearing temperatures by hand is inaccurate. Bearing temperatures can be measured accurately by placing a contact-type thermometer against the housing. Record this temperature for future reference.

A sudden increase in bearing temperature is a warning that the bearings are at the point of failing to operate properly. Make certain that the bearing lubricant is of the proper viscosity and at the correct level (see LUBRICATION in MAINTENANCE AND REPAIR).

Bearing overheating can also be caused by shaft misalignment and/or excessive vibration.

When pumps are first started, the bearings may seem to run at temperatures above normal. Continued operation should bring the temperatures down to normal levels.

TROUBLESHOOTING - SECTION D

Review all SAFETY information in Section A.



WARNING!

Before attempting to open or service the pump:

1. Familiarize yourself with this manual.
2. Lock out or disconnect the power source to ensure that the pump will remain inoperative.
3. Allow the pump to cool if overheated.
4. Check the temperature before opening any covers, plates, or plugs.
5. Close the suction and discharge valves.
6. Vent the pump slowly and cautiously.
7. Drain the pump.

TROUBLE	POSSIBLE CAUSE	PROBABLE REMEDY
PUMP FAILS TO PRIME	Not enough liquid in casing.	Add liquid to casing. See PRIMING.
	Suction check valve contaminated or damaged.	Clean or replace check valve.
	Air leak in suction line.	Correct leak.
	Lining of suction hose collapsed.	Replace suction Hose.
	Leaking or worn seal or pump gasket.	Check pump vacuum. Replace leaking or worn seal or gasket.
	Suction lift or discharge head too high.	Check piping installation and install bypass line if needed. See INSTALLATION.
	Strainer clogged.	Check strainer and clean if necessary.

TROUBLE	POSSIBLE CAUSE	PROBABLE REMEDY
PUMP STOPS OR FAILS TO DELIVER RATED FLOW OR PRESSURE	<p>Air leak in suction line.</p> <p>Lining of suction hose collapsed.</p> <p>Leaking or worn seal or pump gasket.</p> <p>Strainer clogged.</p> <p>Suction intake not submerged at proper level or sump too small.</p> <p>Impeller or other wearing parts worn or damaged.</p> <p>Impeller clogged.</p> <p>Pump speed too slow.</p> <p>Discharge head too high.</p> <p>Suction lift too high.</p>	<p>Correct leak.</p> <p>Replace suction hose.</p> <p>Check pump vacuum. Replace leaking or worn seal or gasket.</p> <p>Check strainer and clean if necessary.</p> <p>Check installation and correct submergence as needed.</p> <p>Replace worn or damaged parts. Check that impeller is properly centered and rotates.</p> <p>Free impeller of debris.</p> <p>Check driver output; check belts or couplings for slippage.</p> <p>Install bypass line.</p> <p>Measure lift w/vacuum gauge. Reduce lift and/or friction losses in suction line.</p>
PUMP REQUIRES TOO MUCH POWER	<p>Pump speed too high</p> <p>Discharge head too low.</p> <p>Liquid solution too thick.</p> <p>Bearing(s) frozen.</p>	<p>Check driver output; check that sheaves or motor rpm are correctly sized.</p> <p>Adjust discharge valve.</p> <p>Dilute if possible.</p> <p>Disassemble pump and check bearing(s).</p>
PUMP CLOGS FREQUENTLY	<p>Liquid solution too thick.</p> <p>Discharge flow too slow.</p> <p>Suction check valve or foot valve Clogged or binding.</p>	<p>Dilute if possible.</p> <p>Open discharge valve fully to increase flow rate, and run power source at maximum governed speed.</p> <p>Clean valve.</p>

TROUBLE	POSSIBLE CAUSE	PROBABLE REMEDY
EXCESSIVE NOISE	Cavitation in pump. Pumping entrained air. Pump or drive not securely mounted. Impeller clogged or damaged.	Reduce suction lift and/or friction losses in suction line. Record vacuum and pressure gauge readings and consult local representative or factory. Locate and eliminate source of air bubble. Secure mounting hardware. Clean out debris; replace damaged parts.
BEARINGS RUN TOO HOT	Bearing temperature is high, but within limits. Low or incorrect lubricant. Suction and discharge lines not properly supported. Drive misaligned.	Check bearing temperature regularly to monitor any increase. Check for proper type and level of lubricant. Check piping installation for proper support. Align drive properly.

PREVENTIVE MAINTENANCE

Pump applications are seldom identical and wear is directly affected by abrasive qualities, pressure & temperature of the liquid being pumped. Below are general recommendations for routine preventive maintenance. The following schedule will help assure trouble-free performance and long life from your pump. New applications should be inspected after 250 hours and subsequent inspections should be performed as indicated below.

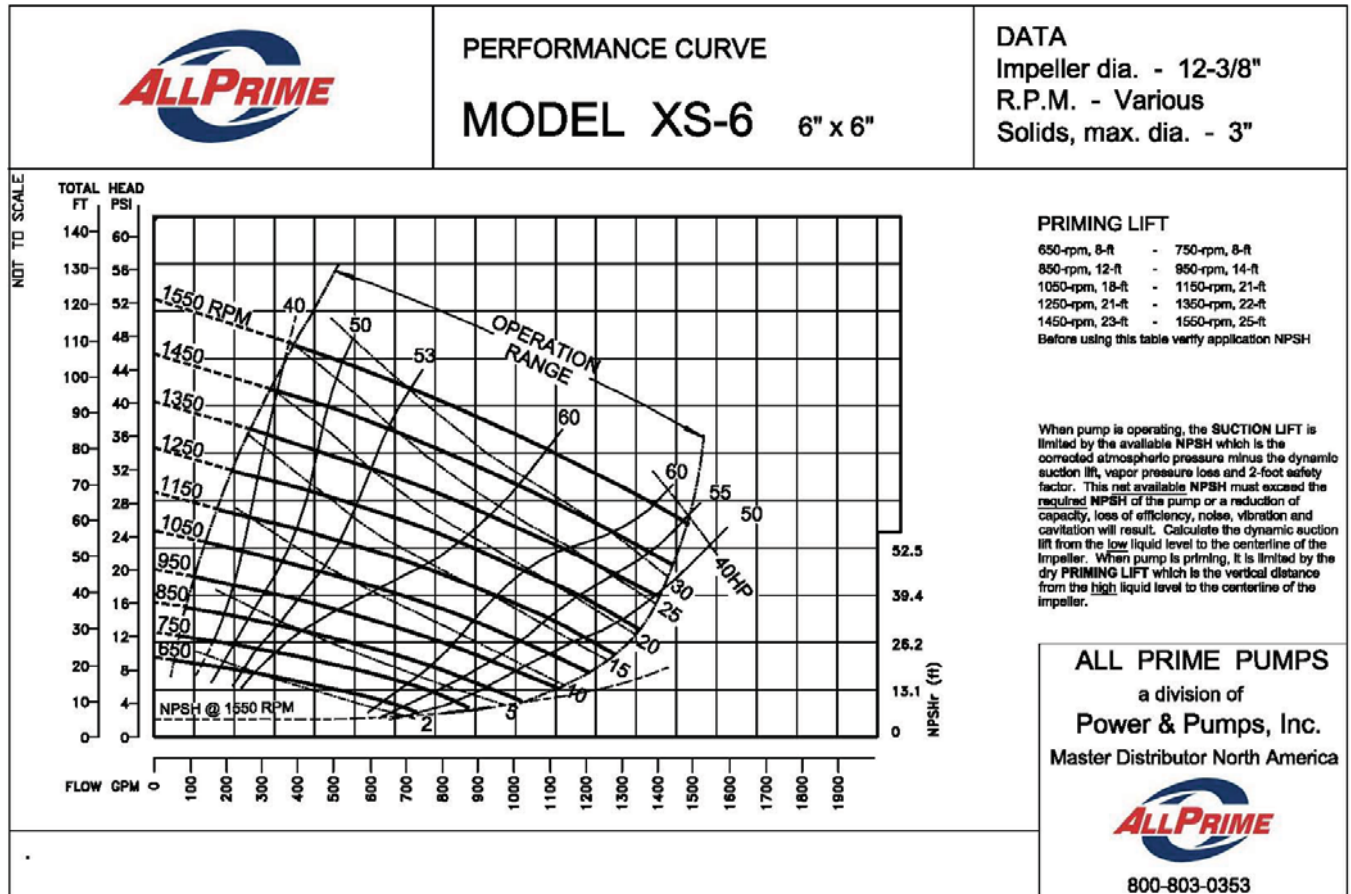
- Daily: check general condition (temp., unusual vibration & noises, cracks, leaks, loose hardware) pump performance (gauges, speed, flow)
- Weekly: check lubrication in bearing & seal chamber
- Monthly: check v-belts or shaft coupling, clean air release valve plunger (if equipped)
- Semi-Annually: check clearance: impeller to wear-plate, & impeller to seal-plate
- Annually: change lubrication in bearing & seal chamber, clean relief valve, inspect: check valve, pump & driver alignment, bearings, & piping

* Above schedule based on intermittent duty cycle equal to approx. 4000 hours annually. Adjust schedule as required for lower or higher duty cycles or extreme operating conditions.

PUMP MAINTENANCE & REPAIR – SECTION E

MAINTENANCE AND REPAIR OF THE WEARING PARTS OF THE PUMP WILL MAINTAIN PEAK OPERATING PERFORMANCE.

Performance Curve



STANDARD PERFORMANCE FOR PUMP MODEL XS-6

Based on 70° F (21° C) clear water at sea level with minimum suction lift. Since pump installations are seldom identical, your performance may be difference due to such factors as viscosity, specific gravity, elevation, temperature, and impeller trim.



CAUTION!

Pump speed and duty-points must be within the 'operating range' shown on the curve.

XS-6 Parts

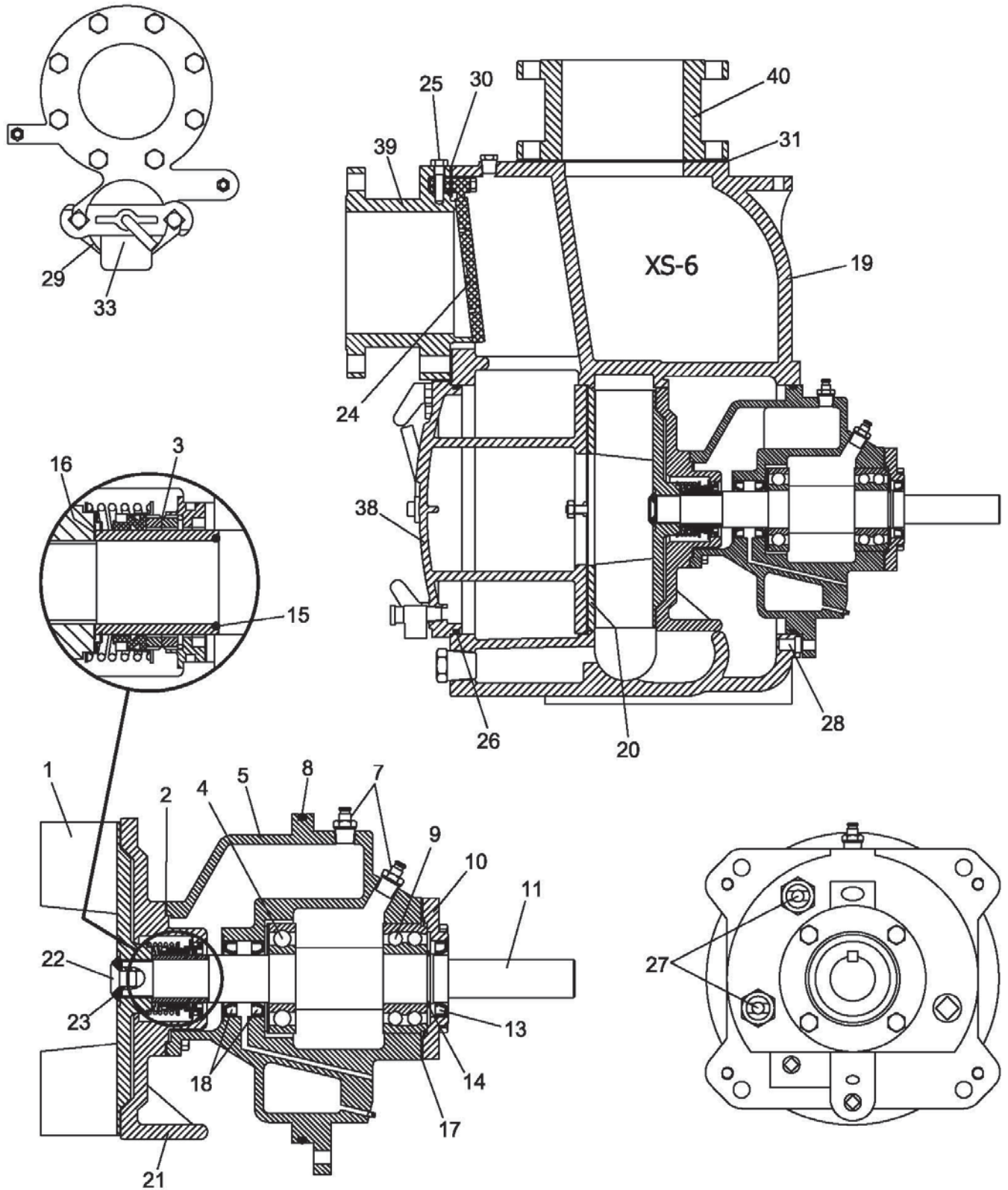


Figure 1. & 2. - Pump Model XS-6

XS-6 Parts



ALL PRIME PUMPS
p. 800-803-0353

<i>item</i>	<i>description</i>	<i>AP part no.</i>	<i>GR part no.</i>
1*	impeller XS6 - D/I(std)	313.010.150	38615-087-11010
1*	impeller XS6 - CD4	313.010.154	38615-087-1718H
2*	gasket, seal plate S346, XS346, I34	311.010.200	10959G-20000
3*	seal, mech. - 1.88" (cart.w/sleeve) Δ	314.010.310	46513-154
3*	seal, mech. - 1.88" (comp.no-sleeve) ▲	314.010.300	
4*	bearing, I/B - XS6	313.011.350	S616
5	housing, bearing, XS6 - C/I(std)	313.010.450	38251-514-10000
7	vent, air	310.010.600	S1530 w/bushing
8*	o-ring - Buna	313.011.600	S1676
8*	o-ring - Viton	313.190.001	25154-454
9*	bearing, O/B - XS6	313.012.350	S1030
10	cap, bearing, XS6 - C/I(std)	313.010.950	38322-430-10010
11	shaft XS6 - std (sleeve type) Δ	313.011.150	38514-818-16040
11	shaft XS6 - 17-4 (no-sleeve design) ▲	313.011.160	38514-820-1706H
13*	oil seal O/B - Nitrile	314.011.250	S1917
14	retaining ring, bearing	313.012.100	24124-425
15	o-ring - Buna	314.012.500	25152-026
15	o-ring - Viton	314.012.501	25254-026
16	shims, impeller	314.011.500	5091-17090
17*	gasket, bearing cap, XS6	313.012.050	38683-473-18000
18*	oil seal I/B - Nitrile	314.011.250	S1917
19	casing S6,XS6 - C/I(std)	313.030.000	46472-708
20*	wear plate S6,XS6 - std	313.210.000	46451-723-24150
20*	wear plate S6,XS6 - CD4	313.210.004	46451-723-1718H
21	seal plate XS6 - C/I(std)	313.011.950	38272-254-10010
21	seal plate XS6 - CD4	313.011.954	38272-254-1718H
22	screw, impeller - std	310.011.700	F1004S-1500G
22	screw, impeller - SS	310.011.701	F1004S-1704G
23	washer, impeller - std	310.011.800	31167-029-16000
23	washer, impeller - SS	310.011.801	31167-029-1706H
24*	check valve S6,XS6,I6 - STD	313.120.000	46411-064
24*	check valve S6,XS6,I6 - Viton	313.120.001	46411-088
25	pin, check valve, S6,XS6,I6	313.100.000	11645-17010
26*	o-ring - Buna	313.011.600	S1676
26*	o-ring - Viton	313.190.001	25154-454
27	sight gauge	310.011.400	S1471
28	screw, rot.ass'y adj.	310.080.000	
29*	gasket, fill cover (all but S12)	310.280.000	50G-19210
30*	gasket, suction flg. S6,XS6,I6	313.090.000	11402G-19370
31	gasket, disch. flg. S6,XS6,I6	313.040.000	1679G-19370 (25113-036)
33	fill cover kit - std (bar,plate,gask,scrw)	310.350.000	
38	cover (clean-out) S6,XS6 - C/I(std)	313.130.000	42111-905
39	spool, suction S6,XS6,I6 - C/I(std)	313.110.000	11402A-10010
40	spool, discharge S6,XS6,I6 - C/I(std)	313.070.000	11402B-10010

Notes:

- 1a. p/n 314.010.310 mechanical seal,
- 1b. p/n 314.010.300 mechanical seal,
- 2. parts are FOB Jacksonville, FL
- 3. * indicates recommended spares

- cartridge - includes sleeve o-ring, impeller shim set & sleeve.
- component - includes sleeve o-ring, impeller shim set & NO sleeve.

June 2015

PUMP & SEAL DISASSEMBLY & REASSEMBLY

Review all SAFETY Information in Section A.

Follow the instructions on all tags, label and decals attached to the pump.

This pump requires little service due to its rugged, minimum-maintenance design. However, if it becomes necessary to inspect or replace the wearing parts, follow these instructions and use with the sectional views and parts lists. (Pages 23 & 24)

Many service functions may be performed by draining the pump and removing the back cover assembly. If major repair is required, the piping and/or power source must be disconnected. The following instructions assume complete disassembly is required.

Before attempting to service the pump, disconnect or lock out the power source and take precautions to ensure that it will remain inoperative. Close all valves in the suction and discharge lines.

For power source disassembly and repair, consult the literature supplied with the power source, or contact your local power source representative.



WARNING!

Before attempting to open or service the pump:

1. Familiarize yourself with this manual.
2. Disconnect or lock out the power source to ensure that the pump will remain inoperative.
3. Allow the pump to cool if overheated.
4. Check the temperature before opening any covers, plates, or plugs.
5. Close the suction and discharge valves.
6. Vent the pump slowly and cautiously.
7. Drain the pump.



WARNING!

Use lifting and moving equipment in good repair and with adequate capacity to prevent injuries to personnel or damage to equipment.

Back Cover And Wear Plate Removal

The wear plate is easily accessible and may be serviced by removing the back cover assembly. Before attempting to service the pump, remove the pump casing drain plug and drain the pump. Clean and reinstall the drain plug.

Remove the hand nuts and pull the back cover and assembled wear plate from the pump casing. Inspect the wear plate, and replace it if badly scored or worn. To remove the wear plate, disengage the hardware.

Inspect the back cover O-ring and replace it if damaged or worn.

Suction Check Valve Removal

If the check valve assembly is to be serviced, remove the check valve pin, reach through the back cover opening and pull the complete assembly from the suction flange.

NOTE:

Further disassembly of the check valve is not required since it must be replaced as a complete unit. Individual parts are not sold separately.

Rotating Assembly Removal

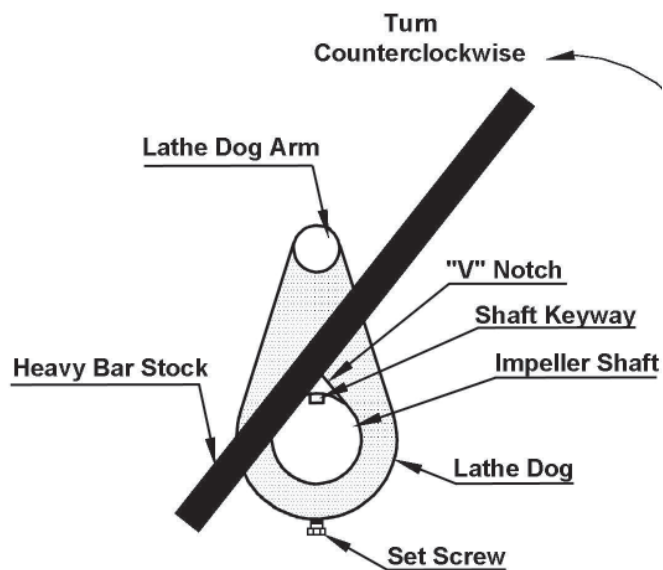
The rotating assembly has to be removed through the drive end opening. The impeller should be 'loosened' while the rotating assembly is still secured to the pump casing. Before loosening the impeller, remove the seal cavity drain plug and drain the seal lubricant. This will prevent the oil in the seal cavity from escaping when the impeller is loosened. Clean and reinstall the seal cavity drain plug.

Immobilize the impeller by wedging a block of wood between the vanes and remove the impeller cap screw and washer.

Install a lathe dog on the drive end of the shaft with the "V" notch positioned over the shaft keyway. Strike the lathe dog sharply in a counterclockwise direction (when facing the drive end of the shaft). When the impeller breaks loose, remove the lathe dog and wood block.

NOTE:

Do not remove the impeller until the rotating assembly has been removed from the pump casing.



Remove the hardware securing the rotating assembly to the pump casing. Separate the rotating assembly by pulling straight away from the pump casing.

NOTE:

An Improved Removal Tool (shown below) can be used. Ensure it's heavy enough for safe usage and to not damage the pump.

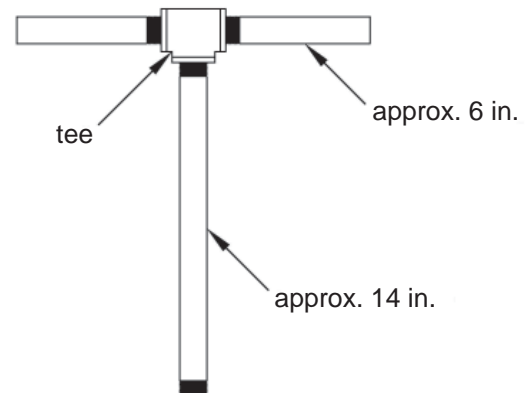


Figure 3. Improved Removal Tool
(made from 1/2" Sch.80 pipes)

Remove the vent plug from the bearing housing and screw the tool's longer portion into the vent hole until it's fully engaged. Carefully begin to lift and pull the rotating assembly out of the pump case. Remove the o-ring and discard.



Impeller Removal

Having removed the rotating ass'y from the pump, remove the impeller from the shaft. Be careful when releasing the impeller as the tension of the mechanical seal spring will be released with the impeller removal. Examine the impeller and inspect for wear and/or cracking. Remove the shims behind the impeller and measure or take notes of the order they go back into the pump to ease re-assembly.

Remove the impeller adjusting shims. Tie and tag the shims or measure and record their thickness for ease of re-assembly.

Seal Removal

Remove the seal spring. Slide the sleeve and rotating portion of the seal off the shaft as a unit. Apply oil to the sleeve and work up under the bellows. Slide the rotating portion of the seal off the sleeve.

- Remove the seal sleeve o-ring

An alternate method of removing the stationary seal components is to remove the hardware, and separate the seal plate and gasket from the bearing housing. Position the seal plate on a flat surface with the impeller side down. Use a wooden dowel or other suitable tool to press on the back side of the stationary seat until the seat, O-rings, and stationary element can be removed.

If no further disassembly is required, refer to seal installation.

Shaft & Bearing Removal & Disassembly

When the pump is properly operated and maintenance, the bearing housing should not require disassembly. Disassemble the shaft and bearings only when there is evidence of wear or damage.



CAUTION!

Shaft and bearing disassembly in the field is not recommended. These operations should be performed only in a properly equipped shop by qualified personnel.

- Remove the bearing housing O-ring

Remove the bearing housing drain plug and drain the lubricant. Clean and reinstall the drain plug.

Disengage the hardware and slide the bearing cap and oil seal off the shaft. Remove the bearing cap gasket, and press the oil seal from the bearing cap.

Place a block of wood against the impeller end of the shaft and tap the shaft and assembled bearings from the bearing housing.

After removing the shaft and bearings, clean and inspect the bearings in place as follows.



CAUTION!

To prevent damage during removal from the shaft, it is recommended that bearings be cleaned and inspected in place. It is strongly recommended that the bearings be replaced any time the shaft and bearings are removed.

Clean the bearing housing, shaft and all component parts (except the bearings) with a soft cloth soaked in cleaning solvent. Inspect the parts for wear or damage and replace as necessary.



WARNING!

Most cleaning solvents are toxic and flammable. Use them only in a well-ventilated area free from excessive heat, sparks, and flame. Read and follow all precautions printed on solvent containers.

Clean the bearings thoroughly in fresh cleaning solvent. Dry the bearings with filtered compressed air and coat with light oil.



CAUTION!

Bearings must be kept free of all dirt and foreign material. Failure to do so will greatly shorten bearing life. DO NOT spin dry bearings. This may scratch the balls or races and cause premature bearing failure.

Rotate the bearings by hand to check for roughness or binding and inspect the bearing balls. If rotation is rough or the bearing balls are discolored, replace the bearings.

The bearing tolerances provide a tight press fit onto the shaft and a snug slip fit into the bearing housing. Replace the bearings, shaft, or bearing housing if the proper bearing fit is not achieved.

If bearing replacement is required, remove the outboard bearing retaining ring, and use a bearing puller to remove the bearings from the shaft.

Press the inboard oil seal from the bearing housing.

Shaft & Bearing Reassembly & Installation

Clean the bearing housing, shaft and all component parts (except the bearings) with a soft cloth soaked in cleaning solvent. Inspect the parts for wear or damage as necessary.



WARNING!

Most cleaning solvents are toxic and flammable. Use them only in a well-ventilated area free from excessive heat, sparks, and flame. Read and follow all precautions printed on solvent containers.

Inspected the shaft for distortion, nicks or scratches, or for thread damage on the impeller end. Dress small nicks and burrs with a fine file or emery cloth. Replace the shaft if defective.

Position the inboard oil seal in the bearing housing bore. Press the oil seal into the housing until the face is just flush with the machined surface on the housing.



CAUTION!

To prevent damage during removal from the shaft, it is recommended that bearings be cleaned and inspected in place. It is strongly recommended that the bearings be replaced any time the shaft and bearings are removed.

NOTE:

Position the inboard bearing on the shaft with shielded side toward the impeller end of the shaft. Position the outboard bearing on the shaft with the integral snap ring on the bearing O.D. toward the drive end of the shaft.

The bearings may be heated to ease installation. An induction heater, hot oil bath, electric oven, or hot plate may be used to heat the bearings. Bearings should never be heated with a direct flame or directly on a hot plate.

NOTE:

If a hot oil bath is used to heat the bearings, both the oil and the container must be absolutely clean. If the oil has been previously used, it must be thoroughly filtered.

Heat the bearings to a uniform temperature no higher than 250° F (120° C), and slide the bearings onto the shaft, one at a time, until they are fully seated. This should be done quickly, in one continuous motion, to prevent the bearings from cooling and sticking on the shaft.

After the bearings have been installed and allowed to cool, check to ensure that they have not moved away from the shaft shoulders while cooling / shrinking. If movement has occurred, use a suitable sized sleeve and a press to reposition the bearings against the shaft shoulders.

If heating the bearings is not practical, use a suitable sized sleeve, and an arbor (or hydraulic) press to install the bearings on the shaft.



CAUTION!

When installing the bearings onto the shaft, never press or hit against the outer race, ball, or ball cage. Press only on the inner race.

Secure the outboard bearing on the shaft with the bearing retaining ring.

Slide the shaft and assembled bearings into the bearing housing until the retaining ring on the outboard bearing seats against the bearing housing.



CAUTION!

When installing the shaft and bearings into the bearing bore, push against the outer race. Never hit the balls or ball cage.

Press the outboard oil seal into the bearing cap with the lip positioned as shown. Replace the bearing cap gasket, and secure the bearing cap with the hardware. Be careful not to damage the oil seal lip on the shaft keyway.

Lubricate the bearing housing as indicated in LUBRICATION.

Seal Installation



WARNING!

Most cleaning solvents are toxic and flammable. Use them only in a well-ventilated area free from excessive heat, sparks, and flame. Read and follow all precautions printed on solvent containers.

Clean the seal cavity and shaft with a cloth soaked in fresh cleaning solvent. Inspect the stationary seat bore in the seal plate for dirt, nicks and burrs, and remove any that exist. The stationary seat bore must be completely clean before installing the seal.



CAUTION!

A new seal assembly should be installed any time the old seal is removed from the pump. Wear patterns on the finished faces cannot be realigned during reassembly. Reusing an old seal could result in premature failure.

To ease installation of the seal, lubricate the O-rings and seal sleeve with water or a very small amount of oil, and apply a drop of light lubricating oil on the finished faces. Assemble the seal as follows, (see Figure 5).

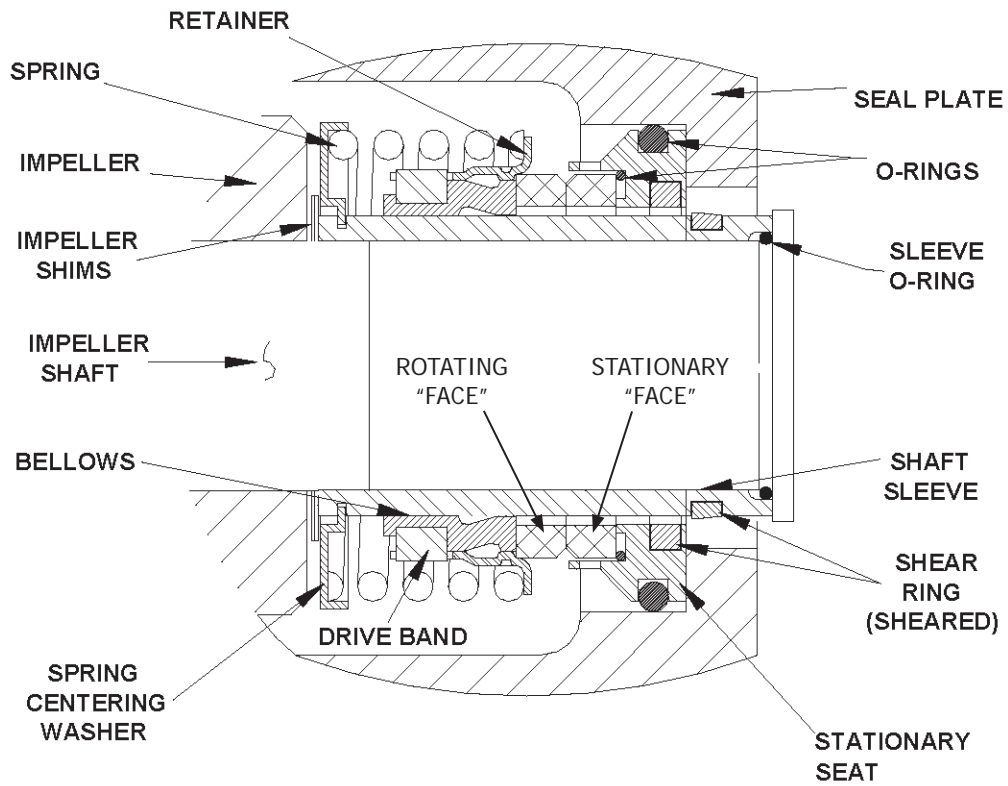


Figure 5. Cartridge Seal Assembly



CAUTION!

This seal is not designed for operation at temperatures above 160° F (71° C). Do not use at higher operating temperatures.

If the seal plate was removed, install the seal plate gasket. Position the seal plate over the shaft and secure it to the bearing housing with the hardware.

To prevent damaging the shaft sleeve O-ring on the shaft threads, stretch the O-ring over a piece of tubing 1-1/2 I.D. x 1-7/8 O.D. x 2 inches long. Slide the tube over the shaft threads, then slide the O-ring off the tube and onto the shaft. Remove the tube, and continue to slide the O-ring down the shaft until it seats against the shaft shoulder.

Lubricate the external stationary seat O-ring with light oil. Slide the seal assembly onto the shaft until the external stationary seat O-ring engages the bore in the seal plate.

Clean and inspect the impeller as described in Impeller Installation and Adjustment. Install the full set of impeller shims provided with the seal, and screw the impeller onto the shaft until it is seated against the seal (see Figure 6).

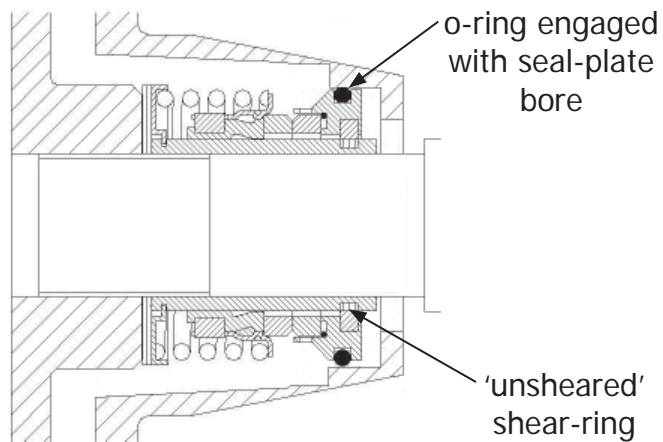


Figure 6. Seal Partially Installed

Continue to screw the impeller onto shaft. This will press the stationary seat into the seal plate bore.

NOTE:

A firm resistance will be felt as the impeller presses the stationary seat into the seal plate bore.

As the stationary seat becomes fully seated, the seal spring compresses, and the shaft sleeve will break the nylon shear ring. This allows the sleeve to slide down the shaft until seated against the shaft shoulder. Continue to screw the impeller onto the shaft until the impeller, shims, and sleeve are fully seated against the shaft shoulder (see Figure 7).

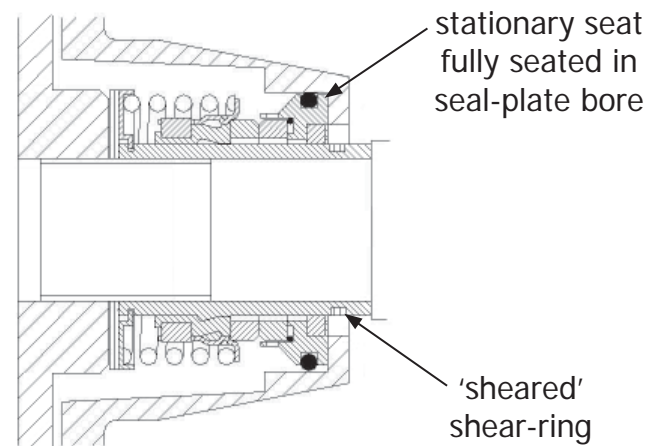


Figure 7. Seal Fully Installed

Measure the impeller-to-seal plate clearance, and remove impeller adjusting shims to obtain the proper clearance as described Impeller Installation and Adjustment.

If necessary to reuse an old seal in an emergency, carefully separate the rotating and stationary seal faces from the bellows retainer and stationary seat.

 **CAUTION!**

A new seal assembly should be installed any time the old seal is removed from the pump. Reusing an old seal could result in premature failure.

Handle the seal parts with extreme care to prevent damage. Be careful not to contaminate precision finished faces; even fingerprints on the faces with a non-oil based solvent and a clean, lint-free tissue. Wipe lightly in a concentric pattern to avoid scratching the faces.

Carefully wash all metallic parts in fresh cleaning solvent and allow to dry thoroughly.



CAUTION!

Do not attempt to separate the rotating portion of the seal from the shaft sleeve when reusing an old seal. The rubber bellows will adhere to the sleeve during use, and attempting to separate them could damage the bellows.

Inspect the seal components for wear, scoring, grooves, and other damage that might cause leakage. Inspect the integral shaft sleeve for nicks or cuts on either end. If any components are worn, or the sleeve is damaged, replace the complete seal; never mix old and new seal parts.

Install the stationary seal element in the stationary seat. Press this stationary subassembly into the seal plate bore until it seats squarely against the bore shoulder. A push tube made from a piece of plastic pipe would aid this installation. The I.D. of the pipe should be slightly larger than the O.D. of the shaft sleeve.

Slide the rotating portion of the seal (consisting of the integral shaft sleeve, spring centering washer, spring, bellows and retainer, and rotating element) onto the shaft until the seal faces contact.

Proceed with Impeller Installation and Adjustment.

Impeller Installation

Inspect the impeller, and replace it if cracked or badly worn. Inspect the impeller and shaft threads for dirt or damage, and clean or dress the threads as required.



CAUTION!

The shaft and impeller threads must be completely clean before reinstalling the impeller. Even the slightest amount of dirt on the threads can cause the impeller to seize to the shaft, making future removal difficult or impossible without damage to the impeller or shaft.

Install the same thickness of impeller adjusting shims as previously removed. Apply 'Never-seez' or equivalent to the shaft threads and screw the impeller onto the shaft until tight. Be sure the seal spring seats squarely over the shoulder on the back side of the impeller.

NOTE:

At the slightest sign of binding, immediately back the impeller off, and check the threads for dirt. Do not try to force the impeller onto the shaft.

A clearance of .015 to .030 inch between the impeller and the seal-plate is recommended for maximum pump efficiency. Measure this clearance, and add or remove impeller adjusting shims as required.

NOTE:

If the rotating assembly has been installed in the pump casing, this clearance may be measured by reaching through the priming port with a feeler gauge.

NOTE:

Proceed with Rotating Assembly Installation before installing the impeller cap screw and washer. The rotating assembly must be installed in the pump casing in order to torque the impeller cap screw.

After the rotating assembly is installed in the pump casing, coat the threads of the impeller cap screw with 'Never-Seez' or equivalent compound, and install the impeller washer and cap screw; torque the cap screw to 90 ft. lbs. (1080 in.lbs.)

Rotating Assembly Installation

NOTE:

If the pump has been completely disassembled, it is recommended that the suction check valve and back cover assembly be reinstalled at this point. The back cover assembly must be in place to adjust the impeller face clearance.

Install the seal plate and rotating assembly O-rings and lubricate them with light grease. Ease the rotating assembly into the pump casing using the installation tool. Be careful not to damage the O-rings. Secure the rotating assembly to the pump casing, do not fully tighten the mounting bolts.

A clearance of .020 inch between the impeller and the wear-plate is recommended for maximum pump efficiency. This pump was designed so that the tolerance between the impeller and the wear plate can be done from outside the pump. The pump has Allen head cap-screws on the drive-end of the pump and are adjusted by using an Allen wrench. Turning these clockwise, 'decreases' the space between the impeller and the wear plate. Likewise, turning counter-clockwise 'increases' the clearance. Set clearance by using a .020" shim between the impeller and wear plate. After the clearance is obtained, tighten the mounting bolts to lock the position of the rotating assembly.

Suction Check Valve Installation

Inspect the check valve assembly, and replace it if badly worn.

NOTE:

The check valve assembly must be replaced as a complete unit. Individual parts are not sold separately.

Reach through the back cover opening with the check valve, and position the check valve adaptor in the mounting slot in the suction flange. Align the adaptor with the flange hole, and secure the assembly with the check valve pin.

NOTE:

If the suction or discharge flanges were removed, replace the respective gaskets, apply 'Permatex Aviation No. 3 Form-A-Gasket' or equivalent compound to the mating surfaces, and secure them to the pump casing with the attaching hardware.

Back Cover Installation & Wear-Plate Installation

If the wear plate was removed for replacement, carefully center it on the back cover and secure it with the hardware. The wear plate must be concentric to prevent binding when the back cover is installed.

Replace the back cover O-ring, and lubricate it with a generous amount of No.2 grease. Clean any scale or debris from the contacting surfaces in the pump casing that might interfere or prevent a good seal with the back cover. Slide the back cover assembly into the pump casing. Be sure the wear plate does not bind against the impeller.

NOTE:

To ease future disassembly, apply a film of grease or 'Never-Seez' on the back cover shoulder, or any surface which contacts the pump casing. This action will reduce rust and scale build-up.

Secure the back cover assembly by tightening the hand nuts evenly. Do not over-tighten the hand nuts; they should be just tight enough to ensure a good seal at the back cover shoulder. Be sure the wear plate does not bind against the casing.

PRESSURE RELIEF VALVE MAINTENANCE

The back cover is equipped with a pressure relief valve to provide additional safety for the pump and operator (refer to Liquid Temperature And Overheating in OPERATION).

It is recommended that the pressure relief valve assembly be replaced at each overhaul, or any time the pump overheats and activates the valve. Never replace this valve with a substitute.

Periodically, the valve should be removed for inspection and cleaning. When reinstalling the relief valve, apply 'Loctite Pipe Sealant With Teflon No. 592', or equivalent compound, on the relief valve threads. Position the valve with the discharge port pointing down.

Final Pump Assembly

Install the shaft key and reconnect the power source. Be sure to install any guards used over the rotating members.



DANGER!

Do not operate the pump without the guards in place over the rotating parts. Exposed rotating parts can catch clothing, fingers, or tools, causing severe injury to personnel.

Install the suction and discharge lines and open all valves. Make certain that all piping connections are tight, properly supported and secure.

Be sure the pump and power source have been properly lubricated, see LUBRICATION.

Remove the fill cover assembly and fill the pump casing with clean liquid. Reinstall the fill cover and tighten it. Refer to OPERATION, Section C, before putting the pump back into service.

LUBRICATION

Seal Assembly Chamber

Before starting the pump, remove the vented plug and fill the seal cavity with oil to the middle of the sight gauge and maintain it at the middle of the gauge. Clean and reinstall the vented plug. Maintain the oil at this level.

Bearing Chamber

The bearing housing was filled when it was shipped from the factory. Check the oil level regularly through the sight glass, it should be in the center of the sight glass. When lubrication is required, add oil through the vent plug.

Oil Requirement:

A high quality turbine type oil with rust and oxidation inhibitors should be used.

ISO viscosity grade 68

- Chevron GTS Oil 68
- Shell Tellus Oil 68
- or equal

Do not over-lubricate. Over-lubrication can cause the oil to foam and leak from vent plug. If it's cloudy or contaminated as seen by inspection through the sight glass, it should be changed immediately.



CAUTION!

Monitor the condition of the bearing lubricant regularly for evidence of rust or moisture condensation. This is especially important in areas where variable and cold temperatures are common.

For cold weather operation, consult the factory or a lubricant supplier for the recommended grade of oil.

ALL PRIME PUMPS

- 12 MONTH LIMITED WARRANTY -

WARRANTY / REPAIRS BY MANUFACTURER

Unless otherwise agreed in writing by Manufacturer, the Equipment shall be warranted in accordance with this Warranty.

Company, unless otherwise authorized by Manufacturer, shall instruct its customers to send all Warranty claims to it rather than to Manufacturer, and Company shall send all customer Warranty claims received, or its Warranty claims, to Manufacturer in writing, immediately on learning of the claim.

Except as otherwise set forth in this document, the provisions of this document shall not confer any rights or remedies upon any party other than the parties hereto and their respective successors and permitted assigns.

Manufacturer warrants that Equipment, subject to this document, substantially conforms to Manufacturer's specifications and is free from defect in material and workmanship, for 12 (twelve) months from installation by Company's customer or 18 (eighteen) months after shipment from Manufacturer's facility, whichever shall occur first. With respect to repairs or replacement made pursuant to this Warranty, the warranty shall extend for 6 (six) months from delivery, but in no event shall such warranty exceed the date that is 6 (six) months after expiration of the original warranty period.

Equipment may be returned for repairs whether within or beyond applicable warranty periods. Company shall pay the costs of transportation to return the Equipment to Manufacturer and Manufacturer will pay the cost of return shipping to Company. Manufacturer shall not be responsible for the costs of removal, reinstallation or gaining access to the Equipment. Company shall be responsible for material and labor charges for all repairs not covered by an applicable warranty. Manufacturer will notify the Company of the estimated charge for any out-of-warranty repair and, upon receipt of prior written approval of Company, the repair will be made by Manufacturer.

Manufacturer, at its sole option, shall either repair or replace Equipment that does not meet the applicable Warranty ("Remedy"). The Warranty is void if the Equipment has been repaired, altered, or modified in any manner by persons other than Manufacturer or a party duly authorized by Manufacturer to service the Equipment. The Warranty excludes nonconformities resulting from: (i) normal wear and tear; (ii) failure to properly store, install, operate, or maintain the Equipment in accordance with Manufacturer's published installation and operation instructions; or (iii) corrosion and erosion. The Remedy is Manufacturer's sole obligation, and Company's sole and exclusive remedy, for all claims of nonconformities.

MANUFACTURER MAKES NO OTHER WARRANTY OF ANY KIND WHATSOEVER, WHETHER STATUTORY, WRITTEN, ORAL, EXPRESSED OR IMPLIED. ALL WARRANTIES OF MERCHANTABILITY AND FITNESS FOR A PARTICULAR PURPOSE ARE HEREBY DISCLAIMED.



ALL PRIME PUMPS
Division of Power & Pumps, Inc.
803 North Myrtle Avenue
Jacksonville, Florida 32204