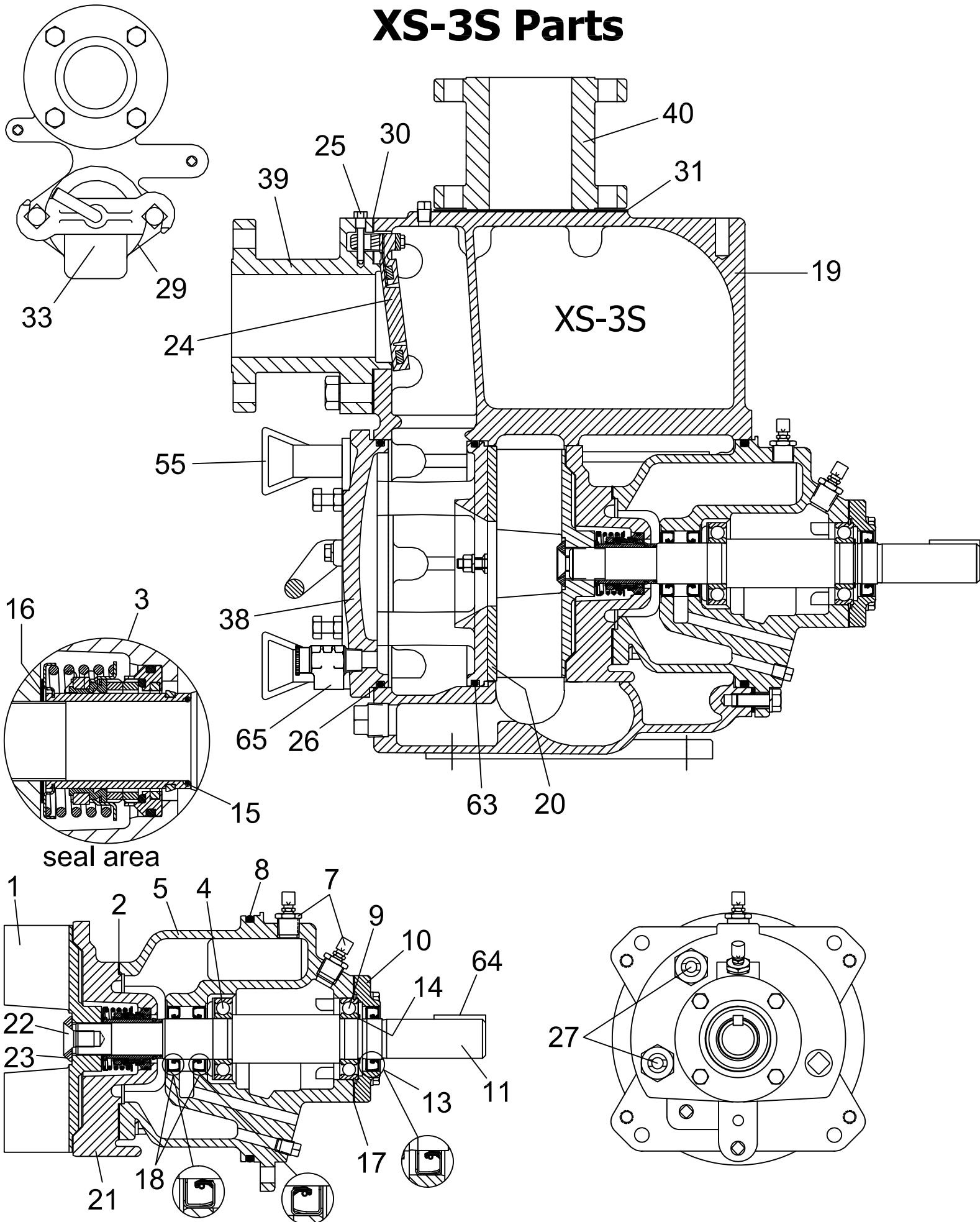


XS-3S Parts



XS-3S Parts



ALL PRIME PUMPS
p. 800-803-0353

<i>item</i>	<i>description</i>	<i>AP part no.</i>	<i>GR part no.</i>	<i>qty</i>
1*	impeller S3,XS3,XS3S - DI/STD	311.010.100	11406-11010	1
1*	impeller S3,XS3,XS3S - CD4	311.010.104	11406-1718H	1
2*	gasket, seal plate S346, XS346, I34	311.010.200	10959G-20000	1
3*	seal, mech. - 1.5" (cart.w/sleeve) Δ	310.010.310	46513-151	1
3*	seal, mech. - 1.5" (comp.no-sleeve) ▲	310.010.300	12364A	1
4*	bearing, I/B - S2,S3,XS3,XS3S	310.011.300	23252-013	1
5	housing, bearing, XS3,XS3S - STD	311.010.450	38251-410-10010	1
7	vent, air	310.010.600	S1530 w/bushing	2
8*	o-ring - Buna	311.011.600	S1748	1
8*	o-ring - Viton	311.011.601	25154-447	1
9*	bearing, O/B - S2,S3,XS3,XS3S	310.012.300	S1749	1
10	cap, bearing, S2,S3,XS3,XS3S - STD	310.010.900	38322-219-10010	1
11	shaft XS3,XS3S - STD (sleeve type) Δ	311.011.150	38514-563-16040	1
11	shaft XS3,XS3S - 17-4 (no-sleeve type) ▲	311.011.160	38514-564-1706H	1
13*	oil seal O/B - Nitrile	310.011.200	S1352	1
14	retaining ring, bearing	310.012.100	S244	1
15	o-ring - Buna	310.012.500	25152-022 (S2088)	1
15	o-ring - Viton	310.012.501	25154-022	1
16	shims, impeller	310.011.500	37J-17090	1
17*	gasket, bearing cap, S2,S3,XS3,XS3S	311.012.000	38683-268-18000	1
18*	oil seal I/B - Nitrile	310.011.200	S1352	2
19	casing XS-3S - STD	311.030.010		1
20*	wear plate S3,XS3,XS3S - STD	311.210.000	11407A-15990	1
20*	wear plate S3,XS3,XS3S - CD4	311.210.004	11407A-1718H	1
21	seal plate S3,XS3,XS3S - STD	311.011.900	11837D-10010	1
21	seal plate S3,XS3,XS3S - CD4	311.011.804	11837D-1718H	1
22	screw, impeller - STD	310.011.700	F1004S-1500G	1
22	screw, impeller - SS	310.011.701	F1004S-1704G	1
23	washer, impeller - STD	310.011.800	31167-029-16000	1
23	washer, impeller - SS	310.011.801	31167-029-1706H	1
24*	check valve S3,XS3,XS3S,I3 - STD	311.120.000	46411-060	1
24*	check valve S3,XS3,XS3S,I3 - Viton	311.120.001	46411-100	1
25	pin, check valve S3,XS3,XS3S	311.100.000	11557A-17010	1
26*	o-ring, (clean-out) O/B - Buna	311.011.600	S1748	1
26*	o-ring, (clean-out) O/B - Viton	311.011.601	25154-447	1
27	sight gauge	310.011.400	S1471	2
29*	gasket, fill cover (all but S12)	310.280.000	50G-19210	1
30*	gasket, suction flg. S3,XS3,XS3S	311.090.000	11412G-19370	1
31*	gasket, disch. flg. S3,XS3,XS3S	311.040.000	25113-033	1
33	fill cover kit - STD (bar,plate,gask,scrw)	310.350.000		1
38	cover (clean-out) XS-3S - STD	311.130.010		1
39	spool, suction S3,XS3,XS3S - STD	311.110.000	11412A-10010	1
40	spool, discharge S3,XS3,XS3S - STD	311.070.000	10845-10010	1
55	back cover wing nut XS-S - STD	310.131.302		4
63*	o-ring, (clean-out) I/B - Buna	311.011.650	25152-446	1
63*	o-ring, (clean-out) I/B - Viton	311.011.651	25154-446	1
64	shaft key	312.011.200	N0608-15990	1
65	pressure releif valve	310.010.500	26662-005	1

Notes:

- 1a. p/n 310.010.310 mechanical seal,
- 1b. p/n 310.010.300 mechanical seal,
- 2. parts are FOB Jacksonville, FL
- 3. * indicates recommended spares

cartridge - includes sleeve o-ring, impeller shim set & sleeve.
 component - includes sleeve o-ring, impeller shim set & NO sleeve.