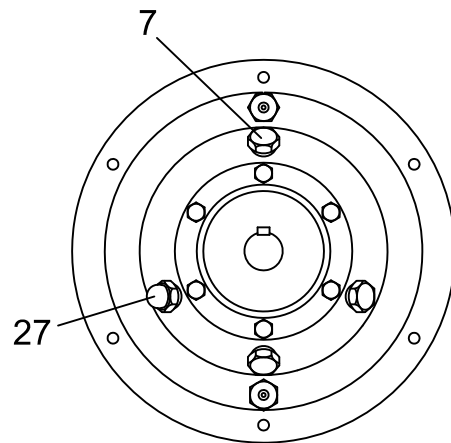
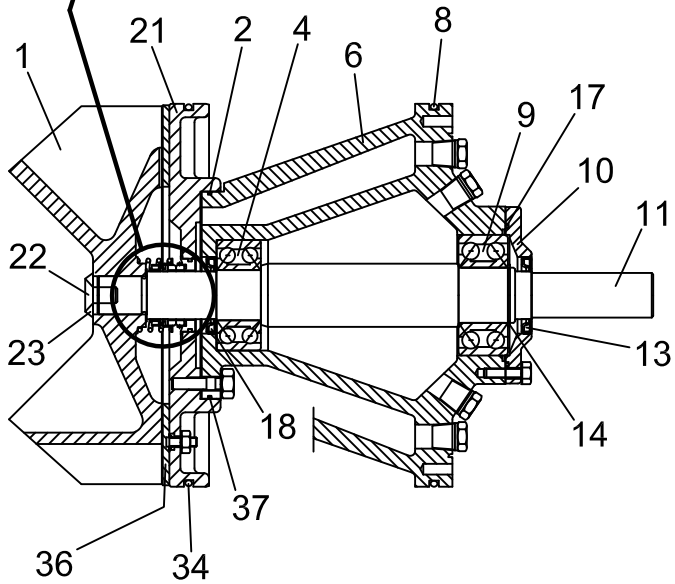
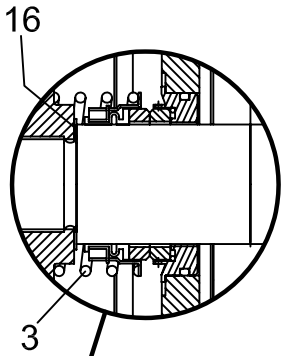
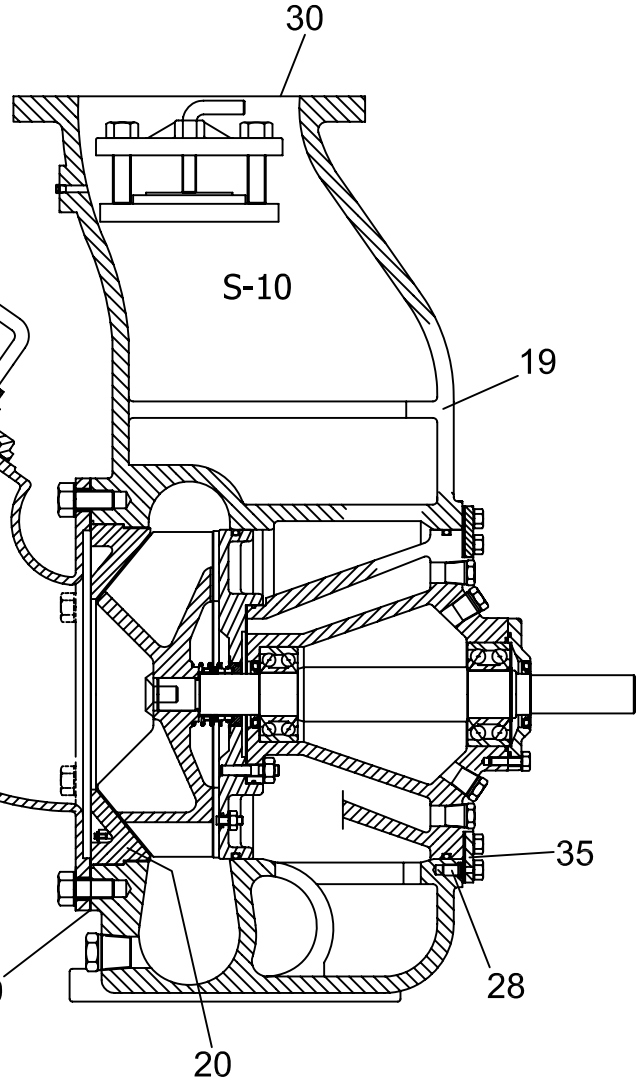
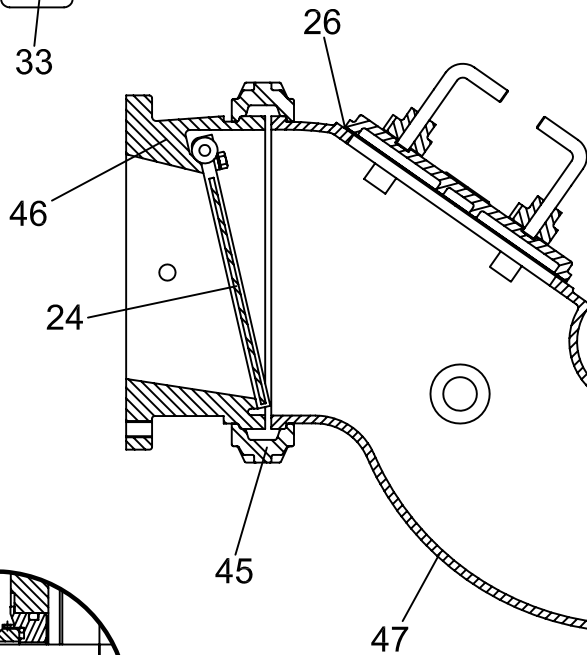
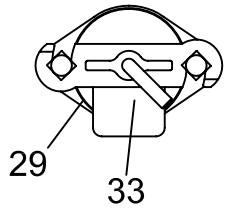
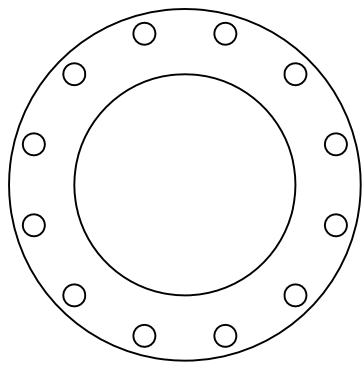


S-10 Parts



S-10 Parts



ALL PRIME PUMPS
p. 800-803-0353

<i>item</i>	<i>description</i>	<i>AP part no.</i>	<i>GR part no.</i>
1*	impeller S10,XS10 - D/I(std)	315.010.100	38615-014-11010
1*	impeller S10,XS10 - CD4	315.010.104	38615-014-1718H
2*	gasket, seal plate S10,XS10	315.010.200	38684-302-19140
3*	seal, mech. - 1.88" (comp.no-sleeve)	314.010.300	12590A
4*	bearing, I/B - S8,XS8,S10,XS10,I6	314.011.300	23421-461
6	housing, bearing S10 - C/I(std)	315.010.400	38251-506-10010
7	vent, air	310.010.600	S1530 w/bushing
8*	o-ring - Buna	314.011.600	S1914
8*	o-ring - Viton	314.011.601	25154-458
9*	bearing, O/B - S8,XS8,S10,XS10,I6	314.012.300	23422-412
10	cap, bearing, S810,XS810,I6 - C/I(std)	314.010.900	38322-415-10010
11	shaft S10 - std (no-sleeve design)	315.011.100	38515-548-
11	shaft S10 - 17-4 (no-sleeve design)	315.011.101	38515-548-1706H
13*	oil seal O/B - Nitrile	314.011.200	S1917
14	retaining ring, bearing	314.012.100	S215
16*	shims, impeller	314.011.500	5091-17090
17*	o-ring, bearing cap - Buna	314.012.000	S333
18*	oil seal I/B - Nitrile	314.011.200	S1917
19	casing S10,XS10 - C/I(std)	315.030.000	46472-709
20*	wear plate, front S10,XS10 - std	315.210.000	38691-826-11010
20*	wear plate, front S10,XS10 - CD4	315.210.004	38691-826-1718H
21	seal plate S10,XS10 - C/I(std)	315.011.900	38272-413-10010
21	seal plate S10 - CD4	315.011.904	38272-228-1718H
22	screw, impeller - std	310.011.700	F1004S-1500G
22	screw, impeller - SS	310.011.701	F1004S-1704G
23	washer, impeller - std	310.011.800	31167-029-16000
23	washer, impeller - SS	310.011.801	31167-029-1706H
24*	check valve S10,XS10 - STD	315.120.000	46411-082
24*	check valve S10,XS10 - Viton	315.120.001	46411-081
26*	gasket, cover plate S10,XS10	315.190.000	38688-008-20000
27	sight gauge	310.011.400	S1471
28	screw, rot.ass'y adj.	310.080.000	
29*	gasket, fill cover (all but S12)	310.280.000	50G-19210
30*	gasket, disch & suction flg S10,XS10	315.090.000	2751GA-19370
33	fill cover kit - std (bar,plate,gask,scrw)	310.350.000	
34*	o-ring - Buna	314.011.600	S1914
34*	o-ring - Viton	314.011.601	25154-458
35	casing ring, S8,XS8,S10,XS10 - std	315.012.600	31281-016-15990
36*	wear plate, rear S10,XS10 - std	315.280.000	46451-722-24150
36*	wear plate, rear S10 - CD4	315.280.004	
37*	o-ring - Buna	315.013.800	S1874
37*	o-ring - Viton	316.012.001	25154-265
45	victaulic coupling S10,XS10	316.013.500	25552-213
46	check valve hsg. S10,XS10 - C/I(std)	315.120.100	38341-805-10010
47	suction head S10,XS10 - C/I(std)	315.031.000	38246-609 10010
48	gasket, victaulic coupling S10,XS10	316.013.510	
49	gasket, suction head S10,XS10	315.010.205	38682-811-20000

Notes:

1. p/n 314.010.300 mechanical seal, component - includes sleeve o-ring, & impeller shim set.
2. parts are FOB Jacksonville, FL
3. * indicates recommended spares