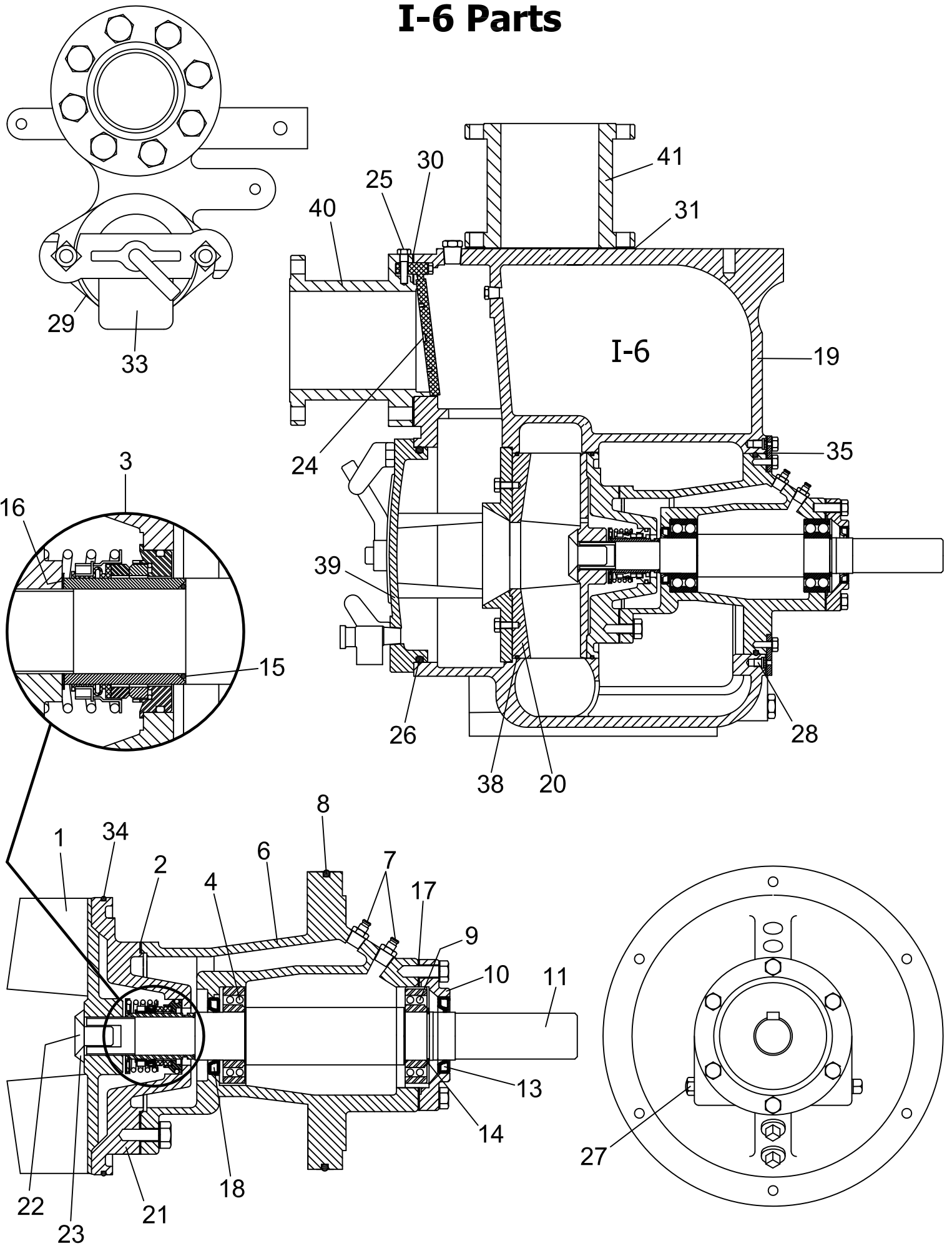


# I-6 Parts



# I-6 Parts



**ALL PRIME PUMPS**  
**p. 800-803-0353**

<i>item</i>	<i>description</i>	<i>AP part no.</i>	<i>GR part no.</i>
1*	impeller I6 - D/I(std)	413.010.100	38618-016
1*	impeller I6 - CD4	413.010.104	38618-016-1718H
2*	gasket, seal plate S8,XS8,I6	314.010.200	12350G-20000
3*	seal, mech. - 1.88" (cart.w/sleeve) Δ	314.010.310	
3*	seal, mech. - 1.88" (comp.no-sleeve) ▲	314.010.300	
4*	bearing, I/B - S8,XS8,S10,XS10,I6	314.011.300	23421-461
6	housing, bearing I6 - C/I(std)	413.010.400	38251-407
7	vent, air	310.010.600	S1530 w/bushing
8*	o-ring - Buna	413.011.600	25152-453
8*	o-ring - Viton	413.011.601	25154-453
9*	bearing, O/B - S8,XS8,S10,XS10,I6	314.012.300	23422-412
10	cap, bearing, S810,XS810,I6 - C/I(std)	314.010.900	38322-415-10010
11	shaft I6 - std (sleeve type) Δ	412.011.100	38515-578-16000
11	shaft I6 - 17-4 (no-sleeve design) ▲	412.011.120	38515-517-1706H
13*	oil seal O/B - Nitrile	314.011.200	S1917
14	retaining ring, bearing	314.012.100	S215
15*	o-ring - Buna	314.012.500	25152-026
15*	o-ring - Viton	314.012.501	25154-026
16*	shims, impeller	314.011.500	5091-17090
17*	o-ring - Buna	314.012.000	S333
18*	oil seal I/B - Nitrile	314.011.200	S1917
19	casing I6 - C/I(std)	413.030.000	38222-703
20*	wear plate I6 - std	413.210.000	46451-737
20*	wear plate I6 - CD4	413.210.004	46451-734
21	seal plate I6 - C/I(std)	413.011.900	38272-408-10010
21	seal plate I6 - CD4	413.011.904	38272-408-1718H
22	screw, impeller - std	310.011.700	F1004S-1500G
22	screw, impeller - SS	310.011.701	F1004S-1704G
23	washer, impeller - std	310.011.800	31167-029-16000
23	washer, impeller - SS	310.011.801	31167-029-1706H
24*	check valve S6,XS6,I6 - STD	313.120.000	46411-064
24*	check valve S6,XS6,I6 - Viton	313.120.001	46411-088
25	pin, check valve, S6,XS6,I6	313.100.000	11645-17010
26*	o-ring - Buna	313.011.600	S1676
26*	o-ring - Viton	313.190.001	25154-454
27	sight gauge	310.011.400	S1471
28	screw, rot.ass'y adj.	310.080.000	
29	gasket, fill cover (all but S12)	310.280.000	50G-19210
30*	gasket, suction flg. S6,XS6,I6	313.090.000	11402G-19370
31	gasket, disch. flg. S6,XS6,I6	313.040.000	25113-036
33	fill cover kit - std (bar,plate,gask,scrw)	310.350.000	
34*	o-ring - Buna	413.013.000	25152-381
34*	o-ring - Viton	413.013.701	25154-381
35	casing ring I6 - std	413.012.600	31281-047-15020
38*	o-ring - Buna	413.013.000	25152-381
38*	o-ring - Viton	413.013.701	25154-381
39	cover plate (clean-out) I6 - C/I(std)	413.130.000	42111-941
40	spool, suction S6,XS6,I6 - C/I(std)	313.110.000	11402A-10010
41	spool, discharge S6,XS6,I6 - C/I(std)	313.070.000	11402B-10010

**Notes:**

1a. p/n 314.010.310 mechanical seal,

1b. p/n 314.010.300 mechanical seal,

2. parts are FOB Jacksonville, FL

3. \* indicates recommended spares

cartridge -

component -

includes sleeve o-ring, impeller shim set & sleeve.

includes sleeve o-ring, impeller shim set & NO sleeve.