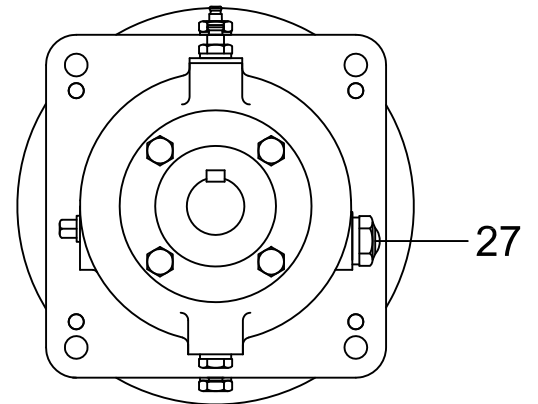
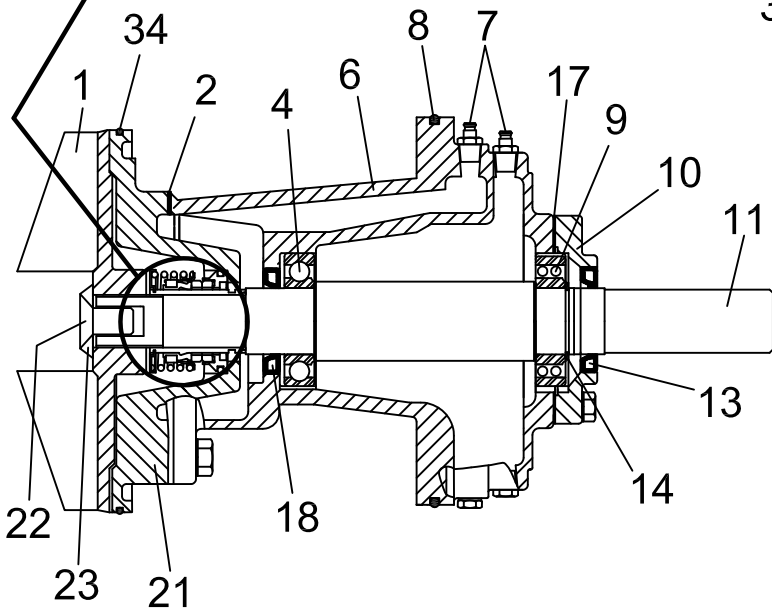
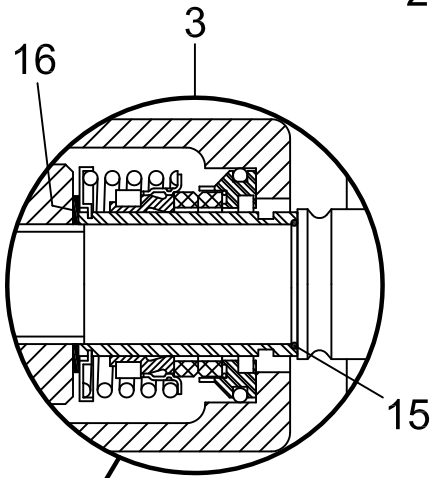
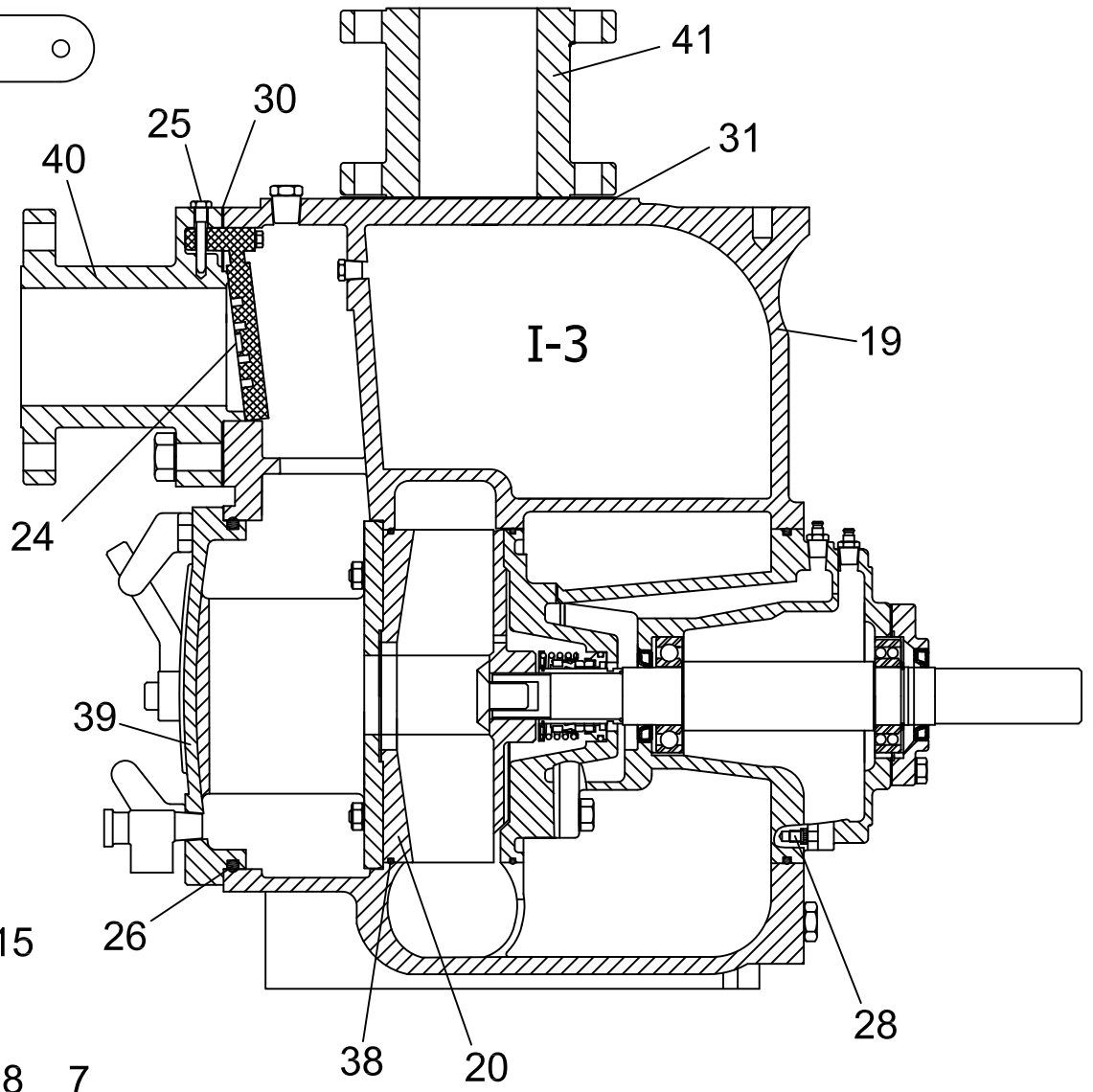
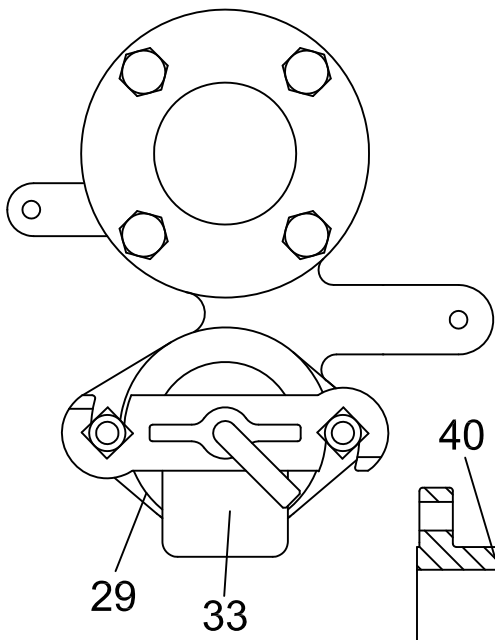


# I-3 Parts



# I-3 Parts



**ALL PRIME PUMPS**  
p. 800-803-0353

<i>item</i>	<i>description</i>	<i>AP part no.</i>	<i>GR part no.</i>
1*	impeller I3 - D/I(std)	411.010.100	38619-015-11000
1*	impeller I3 - CD4	411.010.104	38619-015-1718H
2*	gasket, seal plate S346, XS346, I34	311.010.200	10959G-20000
3*	seal, mech. - 1.5" (cart.w/sleeve) Δ	310.010.310	46513-151
3*	seal, mech. - 1.5" (comp.no-sleeve) ▲	310.010.300	12364A
4*	bearing, I/B - S4,S6,I3,I4	312.011.300	23276-009
6	housing, bearing I3 - std	411.010.400	38251-508-10010
7	vent, air	310.010.600	S1530 w/bushing
8*	o-ring - Buna	411.011.610	25152-277
8*	o-ring - Viton	411.011.601	25154-277
9*	bearing, O/B - S4,S6,I3,I4	312.012.300	S1040
10	cap, bearing S4,S6,I3,I4	312.010.900	38322-215-10010
11	shaft I3 - std Δ	411.011.100	38514-555-16040
11	shaft I3 - 17-4 ▲	411.011.120	38514-555-1706H
13*	oil seal O/B - Nitrile	310.011.200	S1352
14	retaining ring, bearing	310.012.100	S244
15*	o-ring - Buna	310.012.500	25152-022 (S2088)
15*	o-ring - Viton	310.012.501	25154-022
16*	shims, impeller	310.011.500	37J-17090
17*	gasket, bearing cap S4,S6,I3,I4	312.012.000	38683-248-18000
18*	oil seal I/B - Nitrile	310.011.200	S1352
19	casing I3 - C/I(std)	411.030.000	47471-706
20*	wear plate I3 - std	411.210.000	46451-735
20*	wear plate I3 - CD4	411.210.004	46451-736
21	seal plate I3 - C/I(std)	411.011.900	38272-235-10010
21	seal plate I3 - CD4	411.011.804	38272-235-1718H
22	screw, impeller - std	310.011.700	F1004S-1500G
22	screw, impeller - SS	310.011.701	F1004S-1704G
23	washer, impeller - std	310.011.800	31167-029-16000
23	washer, impeller - SS	310.011.801	31167-029-1706H
24*	check valve S3,XS3,I3 - STD	311.120.000	46411-060
24*	check valve S3,XS3,I3 - Viton	311.120.001	46411-100
25	pin, check valve S3,XS3,I3	311.100.000	11557A-17010
26*	o-ring - Buna	411.011.600	25152-276
26*	o-ring - Viton	411.013.701	25154-276
27	sight gauge	310.011.400	S1471
28	screw, rot.ass'y adj.	310.080.000	
29*	gasket, fill cover (all but S12)	310.280.000	50G-19210
30*	gasket, suction flg. S3,XS3,I3	311.090.000	11412G-19370
31	gasket, disch. flg. S3,XS3,I3	311.040.000	25113-033
33	fill cover kit - std (bar,plate,gask,scrw)	310.350.000	
34*	o-ring - Buna	411.011.600	25152-276
34*	o-ring - Viton	411.013.701	25154-276
38*	o-ring - Buna	411.011.600	25152-276
38*	o-ring - Viton	411.013.701	25154-276
39	cover (clean-out) I3 - C/I(std)	411.130.000	42111-959
40	spool, suction S3,XS3,I3 - C/I(std)	311.110.000	11412A-10010
41	spool, discharge S3,XS3,I3 - C/I(std)	311.070.000	10845-10010

**Notes:**

- 1a. p/n 310.010.310 mechanical seal,
- 1b. p/n 310.010.300 mechanical seal,
- 2. parts are FOB Jacksonville, FL
- 3. \* indicates recommended spares

cartridge - includes sleeve o-ring, impeller shim set & sleeve.  
 component - includes sleeve o-ring, impeller shim set & NO sleeve.